



2024

EASY, EFFICIENT, FLEXIBLE



UP TO 10 DOORS SEAMLESSLY

DISCREET
FRAME
DESIGN

SAFE
HANDLES

EASY SLIDE

SYSTEM MAGIC



DURABLE
*The roller units can be removed
if necessary*

**HIDDEN
TECHNOLGY**

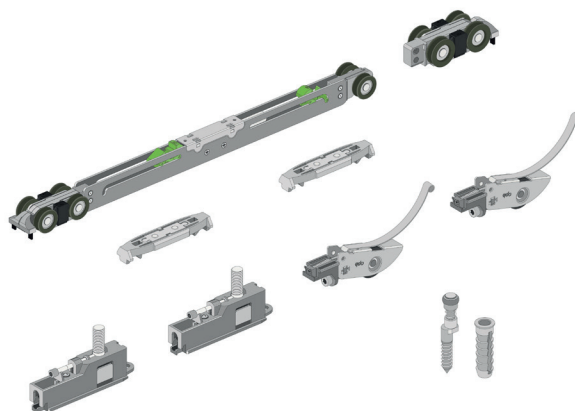
**NO FLOOR
GIUDANCE RAILS**

MAGIC sliding system

MAGIC Set for outer doors with damping

MGC-AC-1/2

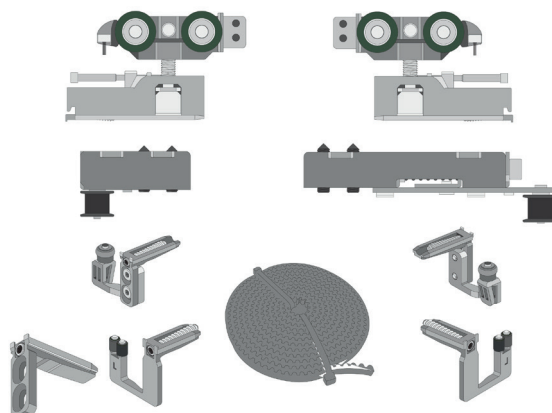
Product code	Finish
MGC-AC-1/2	black
Properties	
Max. door height	3000 mm
Max. door width	1200 mm
Glass thickness	8-8,76 mm
Door height adjustment	±3 mm
Max. door weight	80 kg
Max. panel number	10
Material	stainless steel
Soft close on both sides	



MAGIC Set for middle door (3 sliding panels)

MGC-AC-3

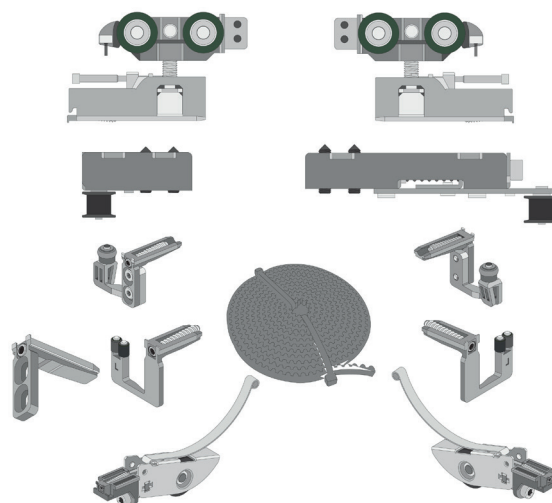
Product code	Finish
MGC-AC-3	black
Properties	
Max. door height	3000 mm
Max. door width	1200 mm
Glass thickness	8-8,76 mm
Door height adjustment	±3 mm
Max. door weight	80 kg
Max. panel number	3 (6)
Material	stainless steel
Soft close on both sides	



MAGIC Set for middle door (≥4 sliding panels)

MGC-AC-4

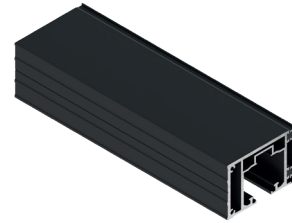
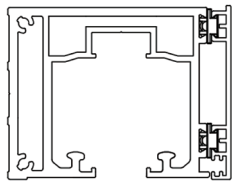
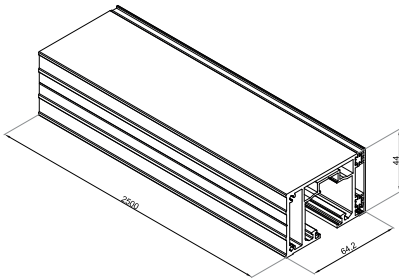
Product code	Finish
MGC-AC-4	black
Properties	
Max. door height	3000 mm
Max. door width	1200 mm
Glass thickness	8-8,76 mm
Door height adjustment	±3 mm
Max. door weight	80 kg
Max. panel number	10
Material	stainless steel
Soft close on both sides	



MAGIC sliding system

MAGIC running track, wall mounting, with side cover

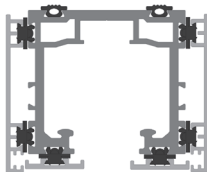
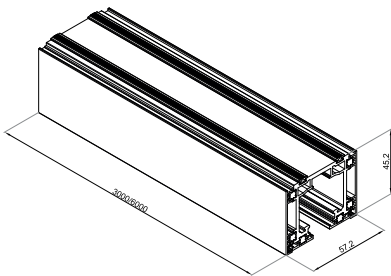
MGC-WALL-2500



Product code	Finish
MGC-WALL-2500-B	black
Properties	
Material	aluminium
Length	2500 mm

MAGIC running track, with side covers

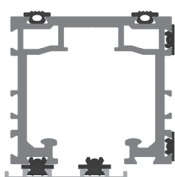
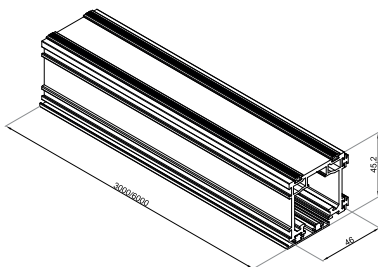
MGC-TOP-001



Product code	L	Finish
MGC-TOP-001-3000-B	3000 mm	black
MGC-TOP-001-4000-B	4000 mm	black
MGC-TOP-001-6000-B	6000 mm	black
Properties		
Material	aluminium	

MAGIC running track, with middle covers

MGC-TOP-002

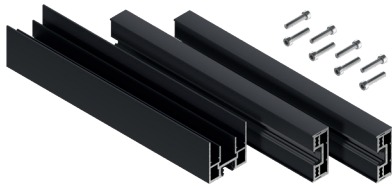


Product code	L	Finish
MGC-TOP-002-3000-B	3000 mm	black
MGC-TOP-002-4000-B	4000 mm	black
MGC-TOP-002-6000-B	6000 mm	black
Properties		
Material	aluminium	

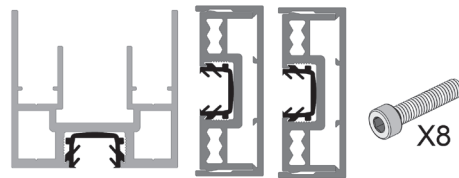
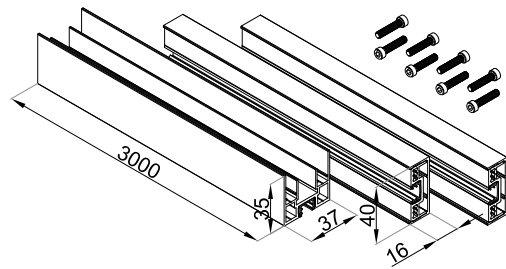
MAGIC sliding system

MAGIC frame profiles for single/double doors

MGC-FR-1/2

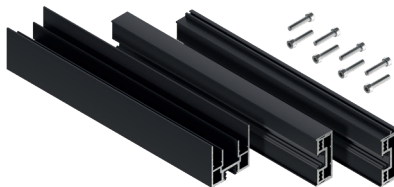


Product code	Finish
MGC-FR-1/2-3000-B	black
Properties	
Material	aluminium
Length	3000 mm

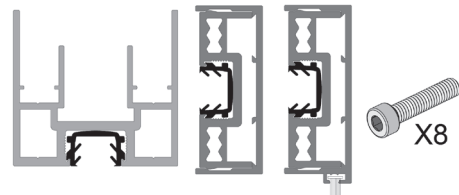
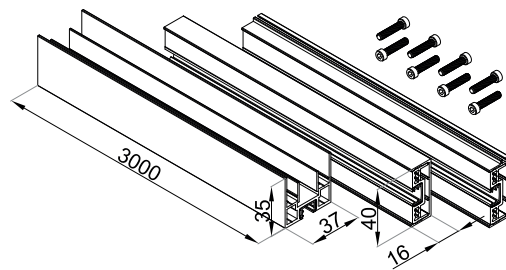


MAGIC frame profiles for outer doors

MGC-FR-001



Product code	Finish
MGC-FR-001-3000-B	black
Properties	
Material	aluminium
Length	3000 mm

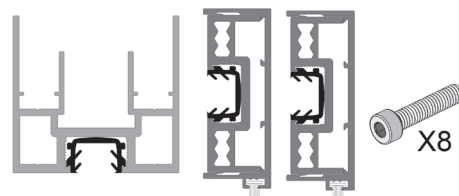
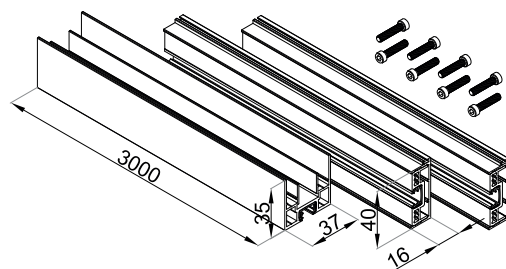


MAGIC frame profiles for middle doors

MGC-FR-002



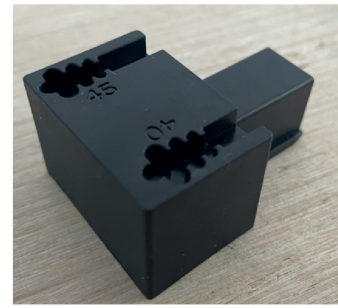
Product code	Finish
MGC-FR-002-3000-B	black
Properties	
Material	aluminium
Length	3000 mm



MAGIC sliding system

***Pattern to determine length of the belt+extended bit
to connect aluminium frames+special drill for profiles***

MGC-TOOL-SET-1



Product code

MGC-TOOL-SET-1

Pliers to connect toothed belt to fittings

MGC-TOOL-SET-2



Product code

MGC-TOOL-SET-2

Drilling pattern to set drilling points in profiles

MGC-TOOL-SET-3



Product code

MGC-TOOL-SET-3

MAGIC sliding system

**MAGIC magnetic lock
for sliding doors, with handle + strike patch**

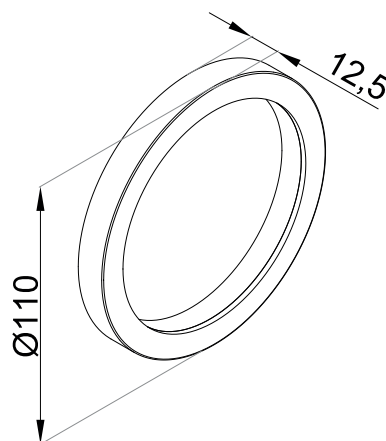
MGC-LOCK-B



Product code	Finish
MGC-LOCK-B	black anodised
Properties	
Glass thickness	8-8,76 mm
Material	aluminium

**Handle for sliding doors
fi 110 mm, adhesive**

NTDL-110

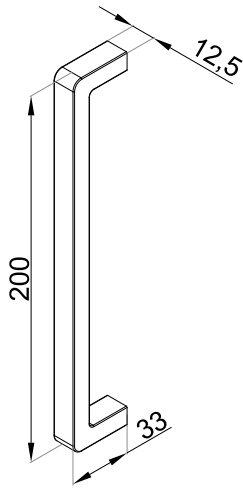


Product code	Finish
NTDL-110-B	black anodised
Properties	
Material	aluminium
Set = 2 pc.	

MAGIC sliding system

Handle for sliding doors 200x33mm

NTDL-200

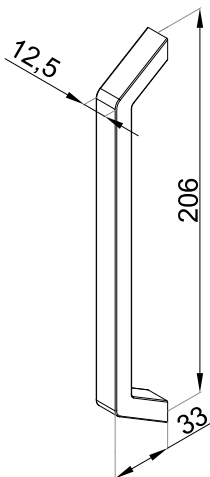


Product code	Finish
NTDL-200-B	black anodised
Properties	
Material	aluminium

Set = 2 pc.

Handle for sliding doors 206x33mm

NTDL-206



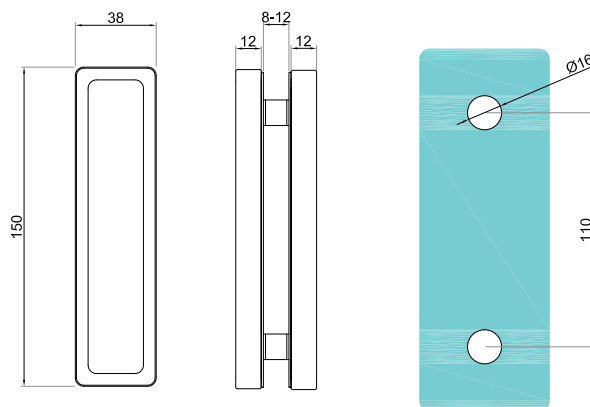
Product code	Finish
NTDL-206-B	black anodised
Properties	
Material	aluminium

Set = 2 pc.

MAGIC sliding system

Handle for sliding doors 150x38 mm

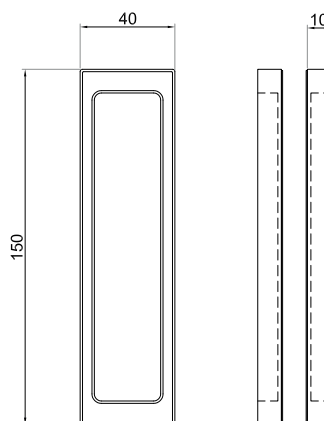
NTDL-80



Product code	Finish
NTDL-80-NA	silver anodised
NTDL-80-SS	satın
NTDL-80-B	black anodised
Properties	
Glass thickness	8-12 mm
Material	aluminium

Handle for sliding doors 150x40 mm, adhesive

NTDL-90

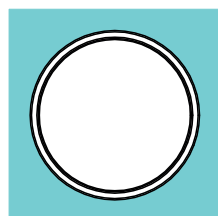
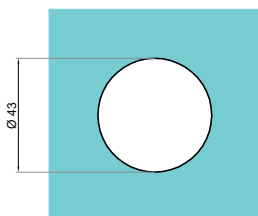
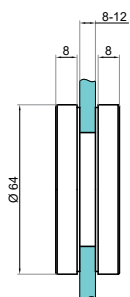


Product code	Finish
NTDL-90-NA	silver anodised
NTDL-90-SS	satın
NTDL-90-B	black anodised
Properties	
Material	aluminium

MAGIC sliding system

Handle for sliding doors fi65 mm

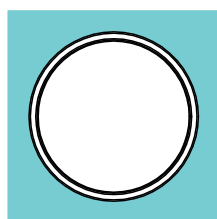
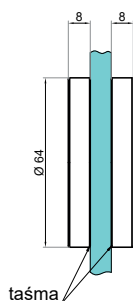
NTDL-65



Product code	Finish
NTDL-65-NA	silver anodised
NTDL-65-SS	satın
NTDL-65-B	black anodised
NTDL-65-PS	polish
NTDL-65-G	gold
Properties	
Glass thickness	8-12 mm
Material	aluminium

Handle for sliding doors fi65 mm, adhesive

NTDL-65-NH

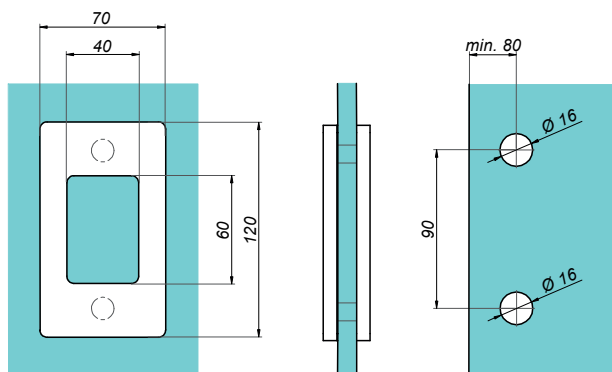
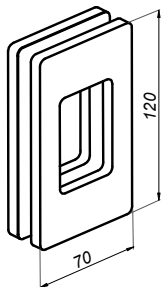


Product code	Finish
NTDL-65-NH-NA	silver anodised
NTDL-65-NH-SS	satın
NTDL-65-NH-B	black anodised
Properties	
Material	aluminium

MAGIC sliding system

Handle for sliding doors

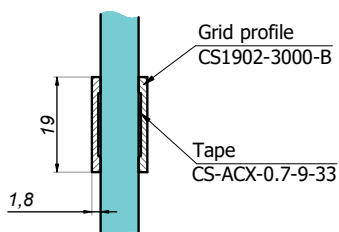
NTDL-70-B



Product code	Finish
NTDL-70-B	black
Properties	
Glass thickness	8 mm
Material	stainless steel

Grid profile

CS-1902



Product code	Size	Finish
CS-1902-3000-B	19x2 mm	black anodised
Properties		
Length	3000 mm	

Tape for grid profiles

CS-ACX



Product code	Size	Length
CS-ACX-0,7-9-33	0,7x9 mm	33 m



MGC-SET-1-W - closed

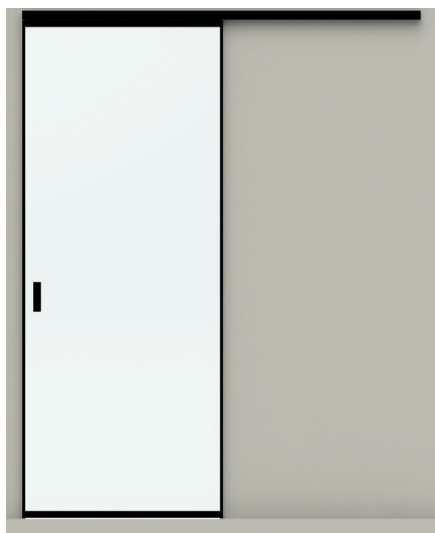


MGC-SET-1-W - open

MAGIC sliding system

SET 1 sliding door - wall mounting

MGC-SET-1-W



One set includes:

MGC-AC-1/2 - MAGIC Set for outer doors with damping, soft close, 80 kg 1 set

MGC-WALL-2500-B - MAGIC running track, wall mounting, with side cover, L=2500 mm 1 set

MGC-FR-1/2-3000-B - MAGIC frame profiles for single/double doors L=3000 mm 1 set

Product code	Finish
MGC-SET-1-W	black

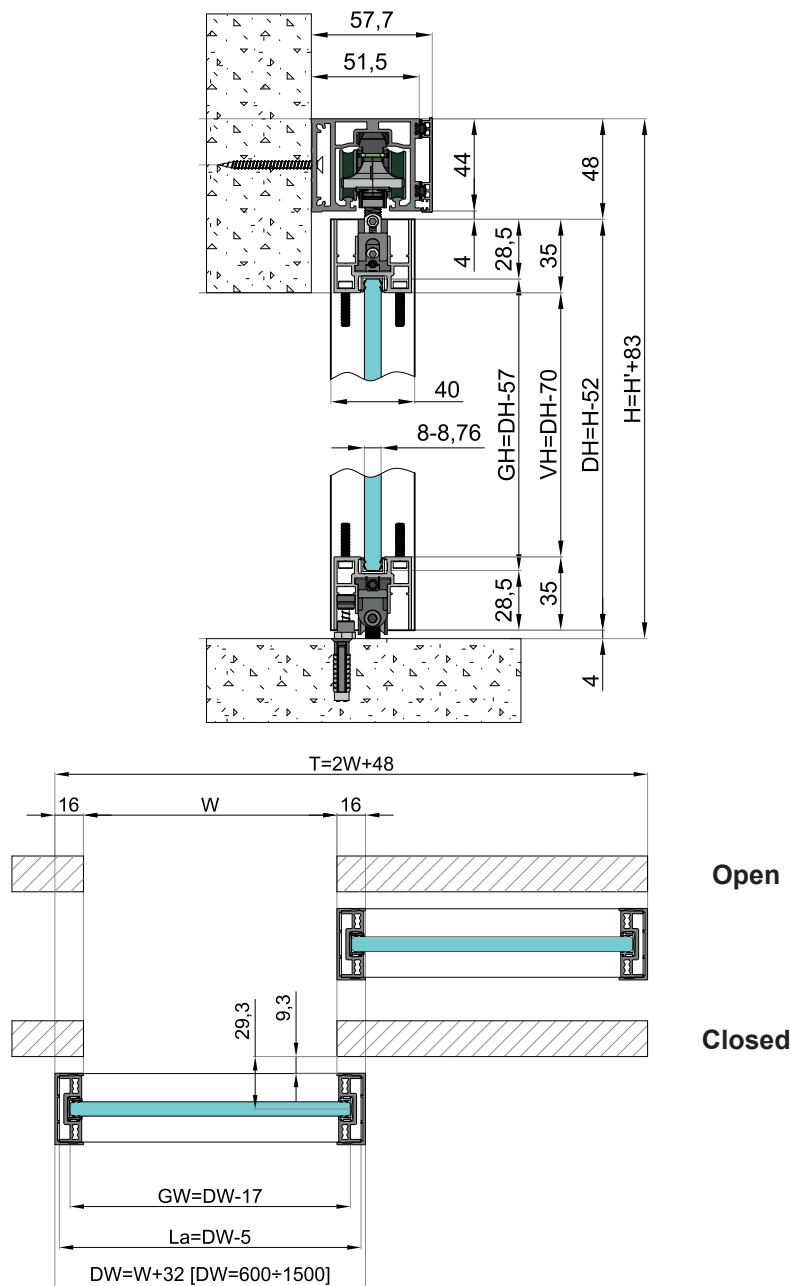
Properties	
Glass thickness	8-8,76 mm
Material	aluminium
Max. opening width	1168 mm



SET 1 sliding door - wall mounting

MGC-SET-1-W

H - installation height
 H' - opening height
 W - opening width
 DH - door height
 DW - door width
 GH - glass height
 GW - glass width
 T - running track length
 La - horizontal profile length
 Lb=VH - vertical base profile length
 Lc=DH - vertical cover length

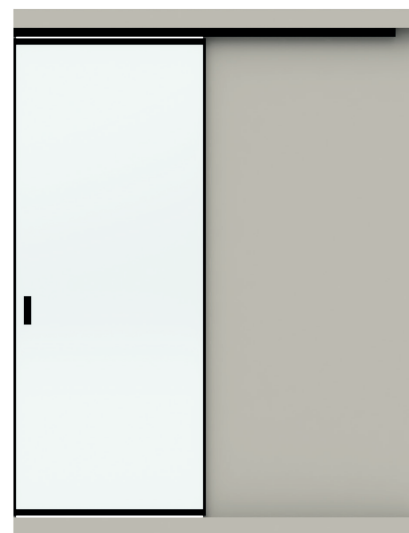
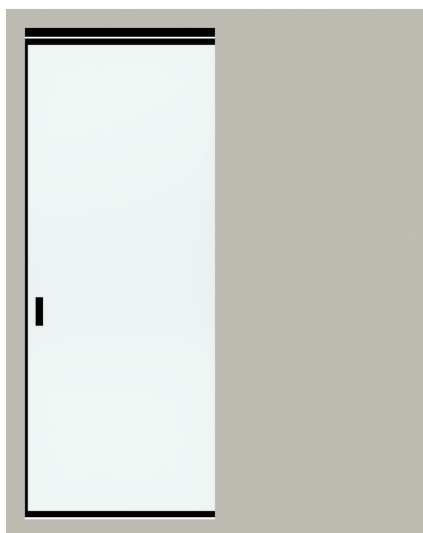


The drawing above is only illustrative drawings. It is used to determine the width of the panels.

MAGIC sliding system

SET 1 sliding door - ceiling mounting

MGC-SET-1-C

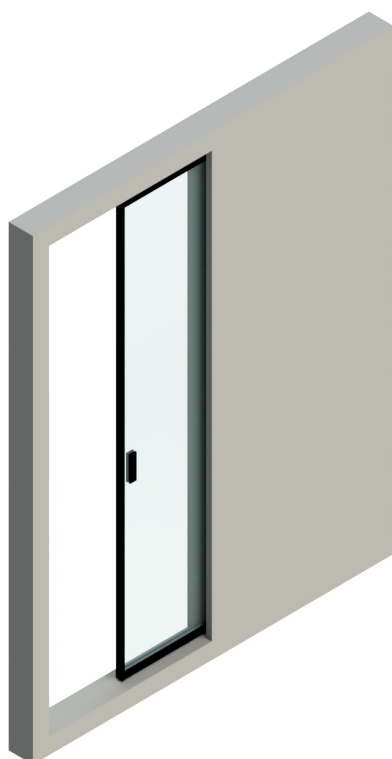


One set includes:

MGC-AC-1/2 - MAGIC Set for outer doors with damping, soft close, 80 kg	1 set
MGC-TOP-001-3000-B - MAGIC running track with side covers L=3000 mm	1 set
MGC-FR-1/2-3000-B - MAGIC frame profiles for single/double doors L=3000 mm	1 set

Product code	Finish
MGC-SET-1-C	black
Properties	
Glass thickness	8-8,76 mm
Material	aluminium
Max. opening width	(1) 1184 / (2) 1168 mm

1



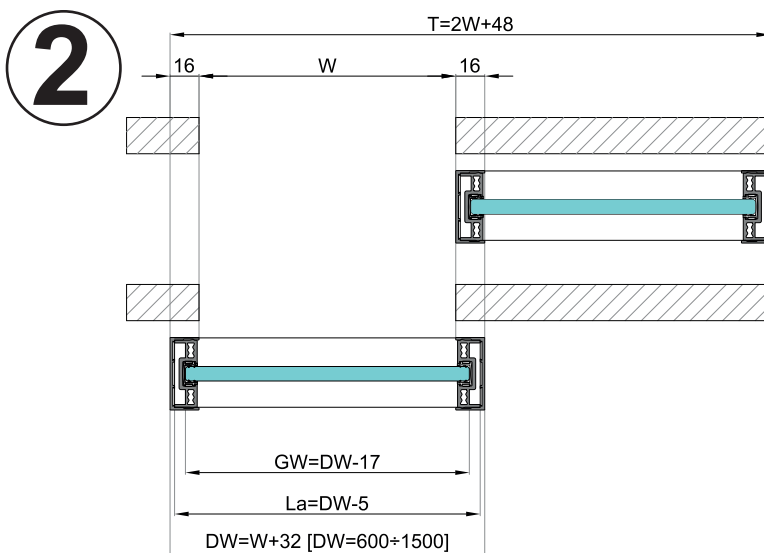
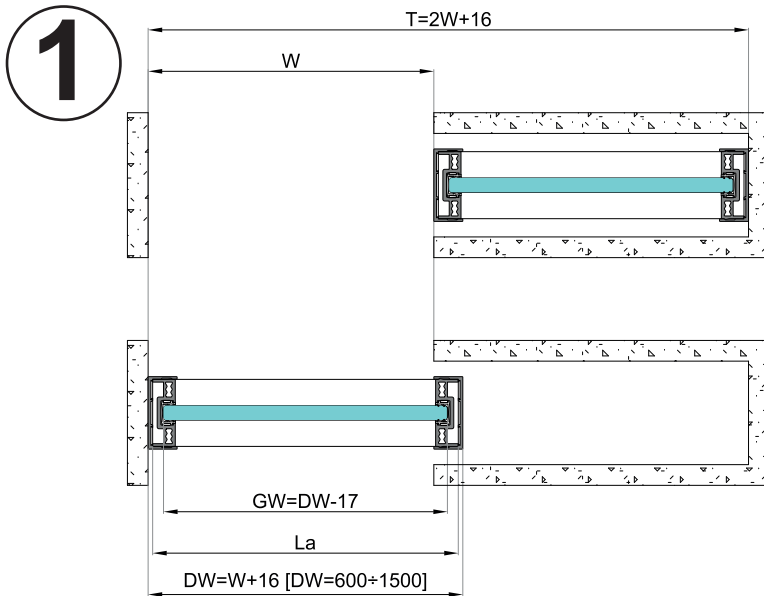
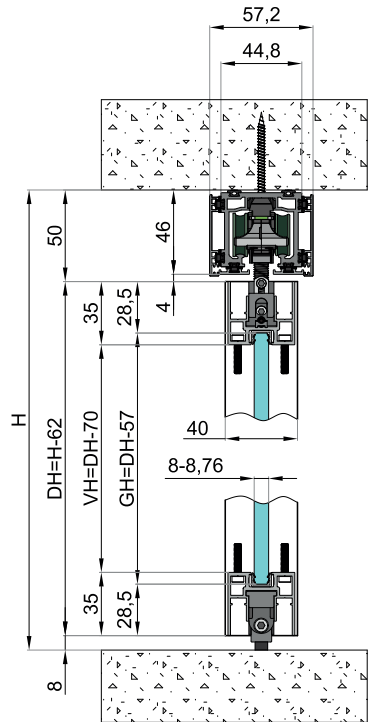
2



SET 1 sliding door - ceiling mounting

MGC-SET-1-C

H - opening height
 W - opening width
 DH - door height
 DW - door width
 GH - glass height
 GW - glass width
 T - running track length
 La - horizontal profile length
 Lb=VH - vertical base profile length
 Lc=DH - vertical cover length

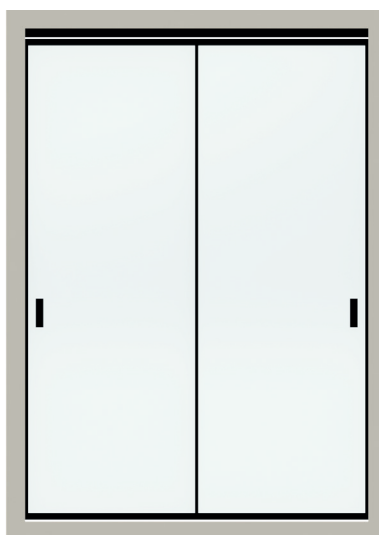


The drawings above are only illustrative drawings. They are used to determine the width of the panels.

MAGIC sliding system

SET - 2 sliding doors

MGC-SET-2



One set includes:

MGC-AC-1/2 - MAGIC Set for outer doors with damping, soft close, 80 kg	2 set
MGC-TOP-001-3000-B - MAGIC running track with side covers L=3000 mm	1 set
MGC-TOP-002-3000-B - MAGIC running track with middle cover L=3000 mm	1 set
MGC-FR-1/2-3000-B - MAGIC frame profiles for single/double doors L=3000 mm	2 set

Product code	Finish
MGC-SET-2	black

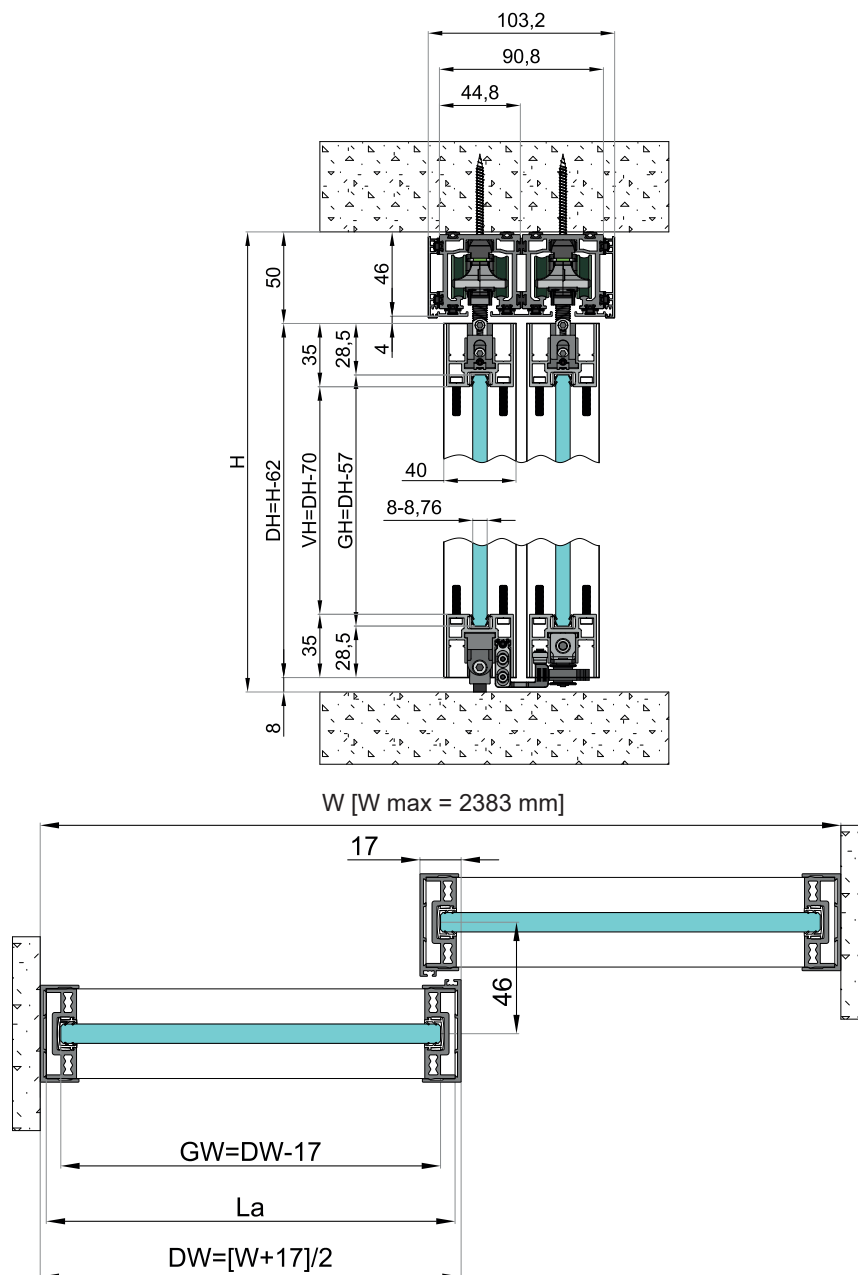
Properties	
Glass thickness	8-8,76 mm
Material	aluminium
Max. opening width	2383 mm



SET - 2 sliding doors

MGC-SET-2

H - opening height
 W - opening width
 DH - door height
 DW - door width
 GH - glass height
 GW - glass width
 W=T - running track length
 La - horizontal profile length
 Lb=VH - vertical base profile length
 Lc=DH - vertical cover length



The drawing above is only illustrative drawings. It is used to determine the width of the panels.



MGC-SET-3 - closed

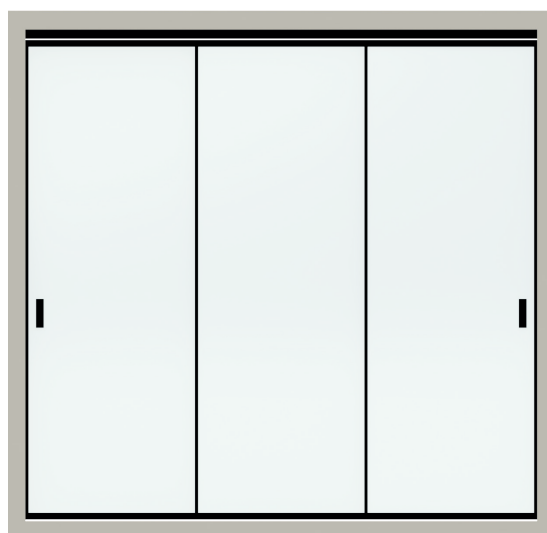


MGC-SET-3 - open

MAGIC sliding system

SET - 3 sliding doors

MGC-SET-3-3000



One set includes:

MGC-AC-1/2 - MAGIC Set for outer doors with damping, soft close, 80 kg	2 set
MGC-AC-3 - MAGIC Set for middle doors (3 sliding panels)	1 set
MGC-TOP-001-3000-B - MAGIC running track with side covers L=3000 mm	1 set
MGC-TOP-002-3000-B - MAGIC running track with middle cover L=3000 mm	2 set
MGC-FR-001-3000-B - MAGIC frame profiles for outer doors L=3000 mm	2 set
MGC-FR-002-3000-B - MAGIC frame profiles for middle doors L=3000 mm	1 set

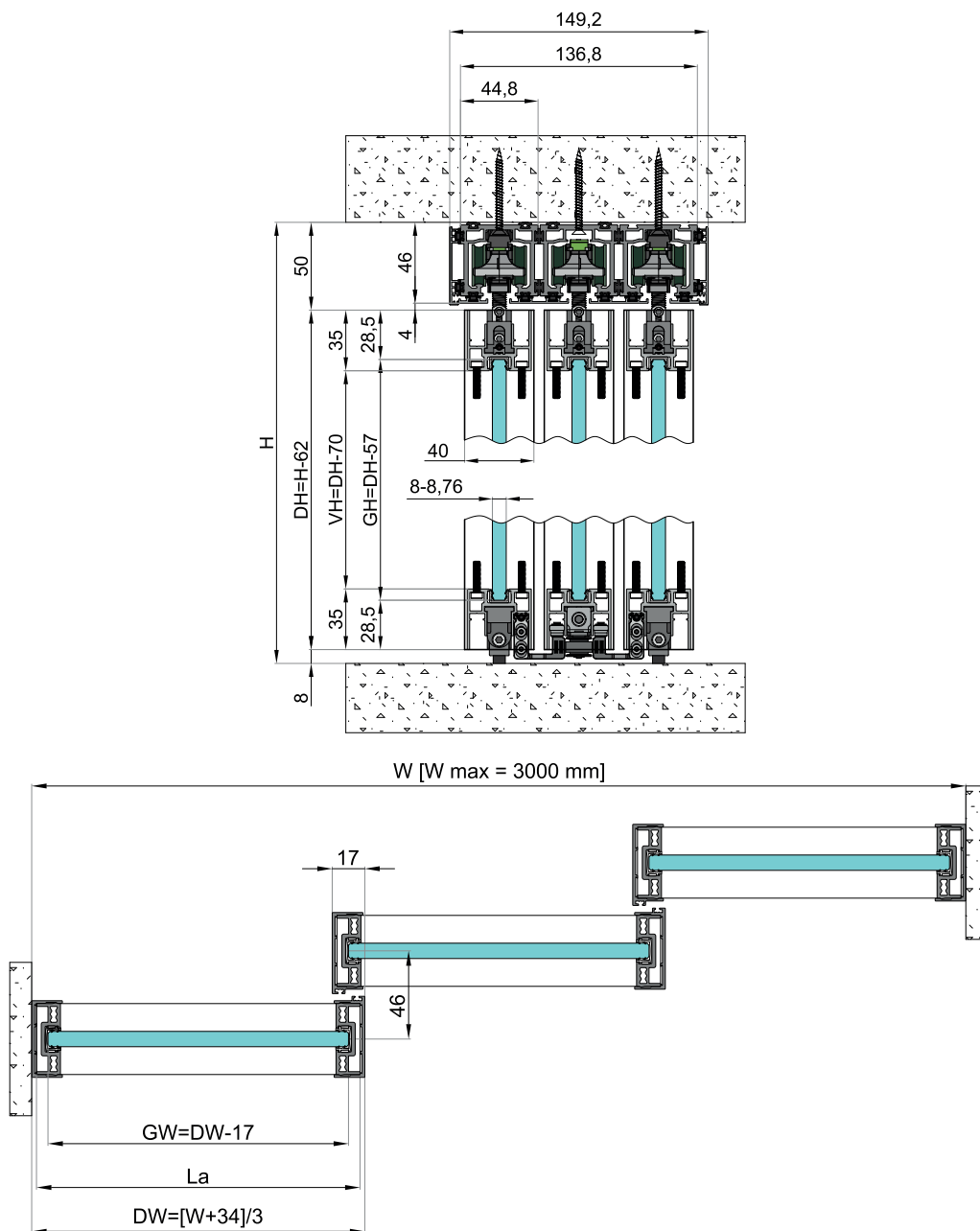
Product code	Finish
MGC-SET-3-3000	black
Properties	
Glass thickness	8-8,76 mm
Material	aluminium
Max. opening width	3000 mm



SET - 3 sliding doors

MGC-SET-3-3000

H - opening height
 W - opening width
 DH - door height
 DW - door width
 GH - glass height
 GW - glass width
 W=T - running track length
 La - horizontal profile length
 Lb=VH - vertical base profile length
 Lc=DH - vertical cover length



The drawing above is only illustrative drawings. It is used to determine the width of the panels.



MGC-SET-3 - closed - hidden

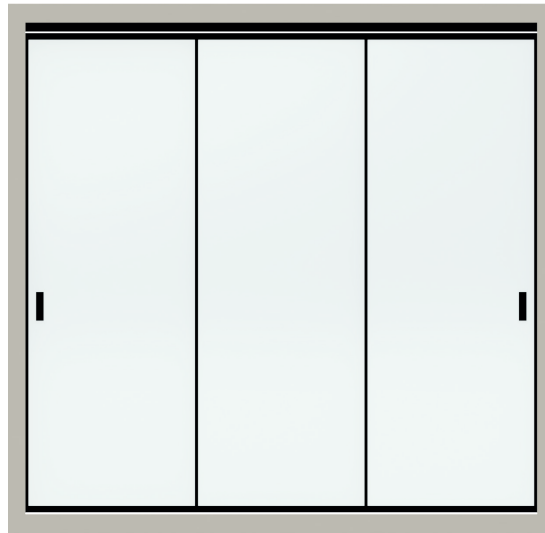


MGC-SET-3 - open - hidden

MAGIC sliding system

SET - 3 sliding doors

MGC-SET-3-4000



One set includes:

MGC-AC-1/2 - MAGIC Set for outer doors with damping, soft close, 80 kg	2 set
MGC-AC-3 - MAGIC Set for middle doors (3 sliding panels)	1 set
MGC-TOP-001-4000-B - MAGIC running track with side covers L=4000 mm	1 set
MGC-TOP-002-4000-B - MAGIC running track with middle cover L=4000 mm	2 set
MGC-FR-001-3000-B - MAGIC frame profiles for outer doors L=3000 mm	2 set
MGC-FR-002-3000-B - MAGIC frame profiles for middle doors L=3000 mm	1 set

Product code	Finish
MGC-SET-3-4000	black

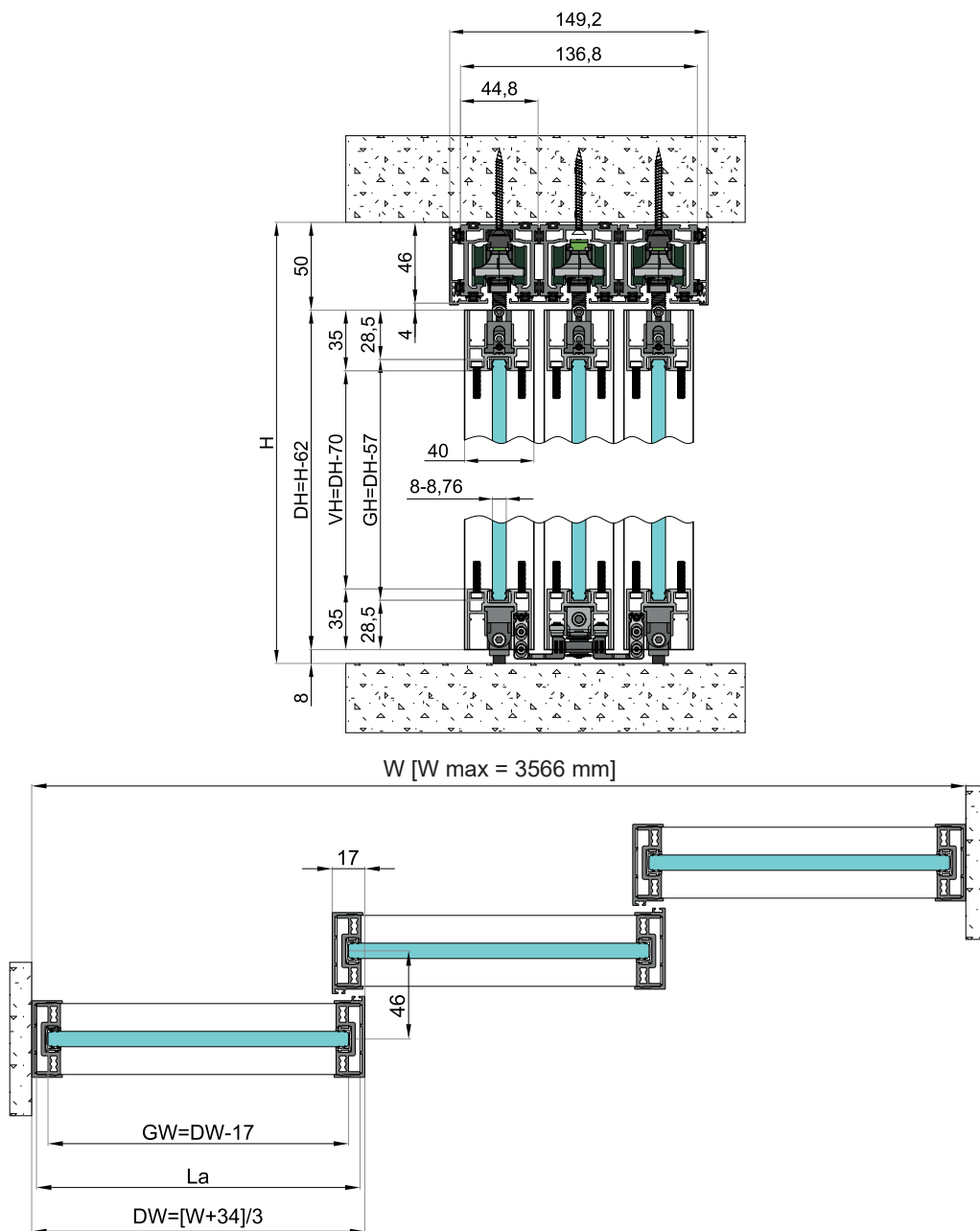
Properties	
Glass thickness	8-8,76 mm
Material	aluminium
Max. opening width	3566 mm



SET - 3 sliding doors

MGC-SET-3-4000

H - opening height
 W - opening width
 DH - door height
 DW - door width
 GH - glass height
 GW - glass width
 W=T - running track length
 La - horizontal profile length
 Lb=VH - vertical base profile length
 Lc=DH - vertical cover length



The drawing above is only illustrative drawings. It is used to determine the width of the panels.



MGC-SET-4 - closed

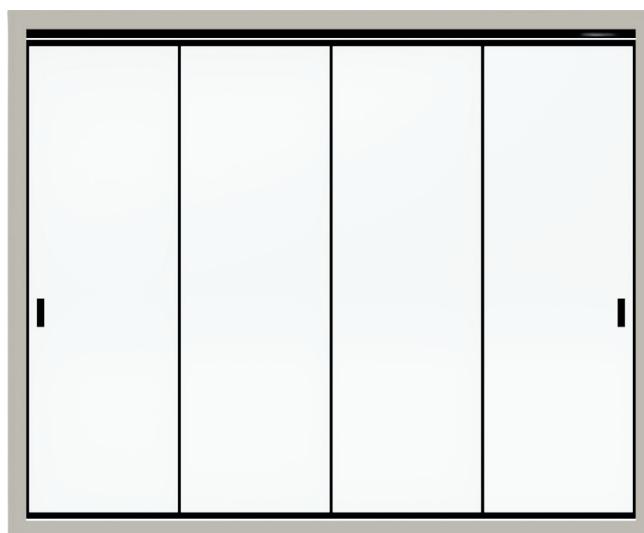


MGC-SET-4 - open

MAGIC sliding system

SET - 4 sliding doors

MGC-SET-4-4000



One set includes:

MGC-AC-1/2 - MAGIC Set for outer doors with damping, soft close, 80 kg	2 set
MGC-AC-4 - MAGIC Set for middle doors (≥4 sliding panels)	2 set
MGC-TOP-001-4000-B - MAGIC running track with side covers L=4000 mm	1 set
MGC-TOP-002-4000-B - MAGIC running track with middle cover L=4000 mm	3 set
MGC-FR-001-3000-B - MAGIC frame profiles for outer doors L=3000 mm	2 set
MGC-FR-002-3000-B - MAGIC frame profiles for middle doors L=3000 mm	2 set

Product code	Finish
MGC-SET-4-4000	black

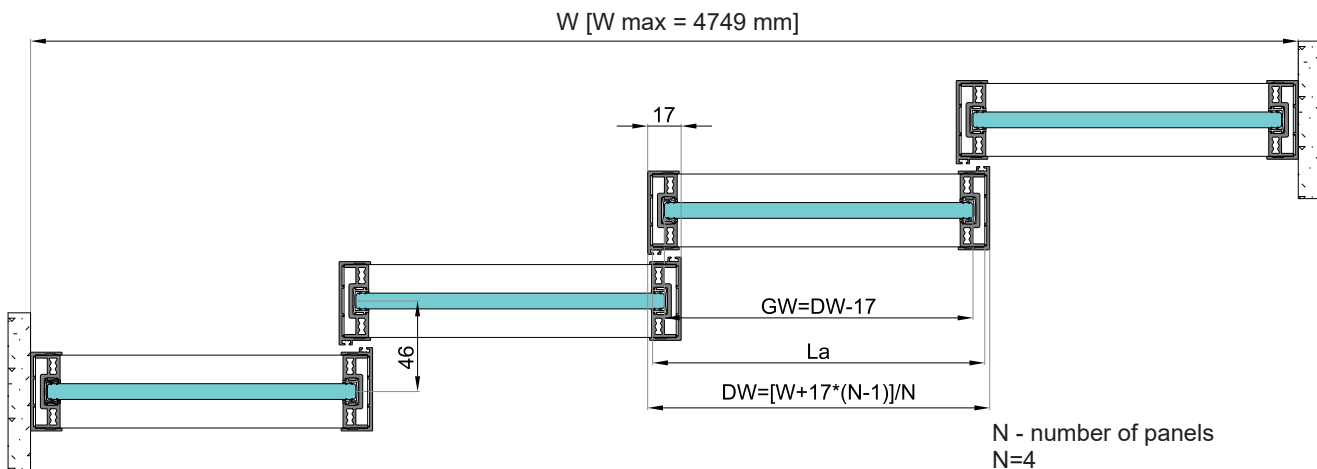
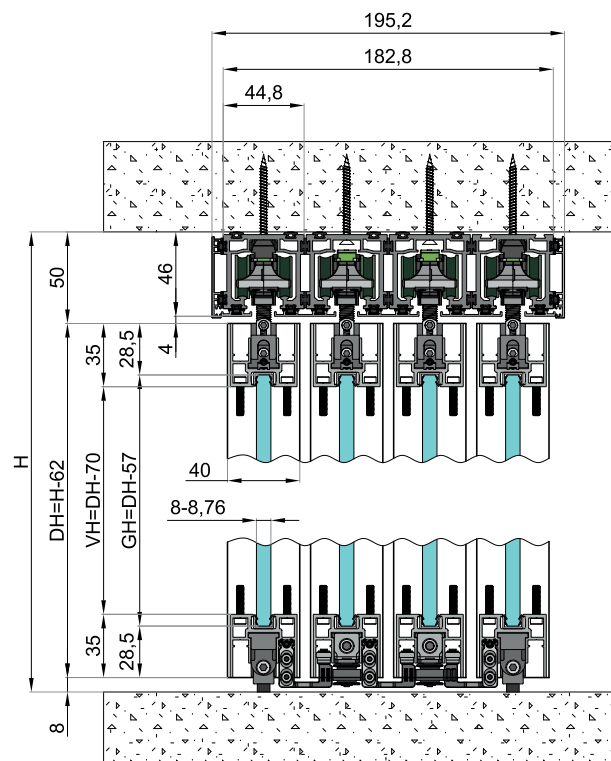
Properties	
Glass thickness	8-8,76 mm
Material	aluminium
Max. opening width	4749 mm



SET - 4 sliding doors

MGC-SET-4-4000

H - opening height
 W - opening width
 DH - door height
 DW - door width
 GH - glass height
 GW - glass width
 W=T - running track length
 La - horizontal profile length
 Lb=VH - vertical base profile length
 Lc=DH - vertical cover length



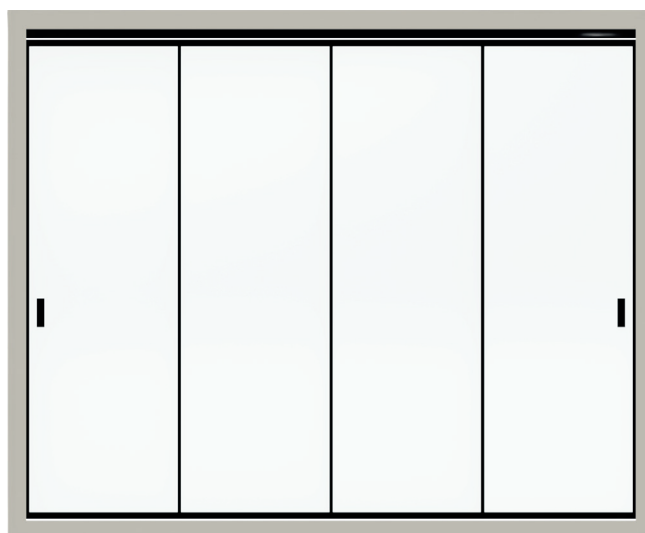
N - number of panels
 N=4

The drawing above is only illustrative drawings. It is used to determine the width of the panels.

MAGIC sliding system

SET - 4 sliding doors

MGC-SET-4-6000



One set includes:

MGC-AC-1/2 - MAGIC Set for outer doors with damping, soft close, 80 kg	2 set
MGC-AC-4 - MAGIC Set for middle doors (≥4 sliding panels)	2 set
MGC-TOP-001-6000-B - MAGIC running track with side covers L=6000 mm	1 set
MGC-TOP-002-6000-B - MAGIC running track with middle cover L=6000 mm	3 set
MGC-FR-001-3000-B - MAGIC frame profiles for outer doors L=3000 mm	2 set
MGC-FR-002-3000-B - MAGIC frame profiles for middle doors L=3000 mm	2 set

Product code	Finish
MGC-SET-4-6000	black

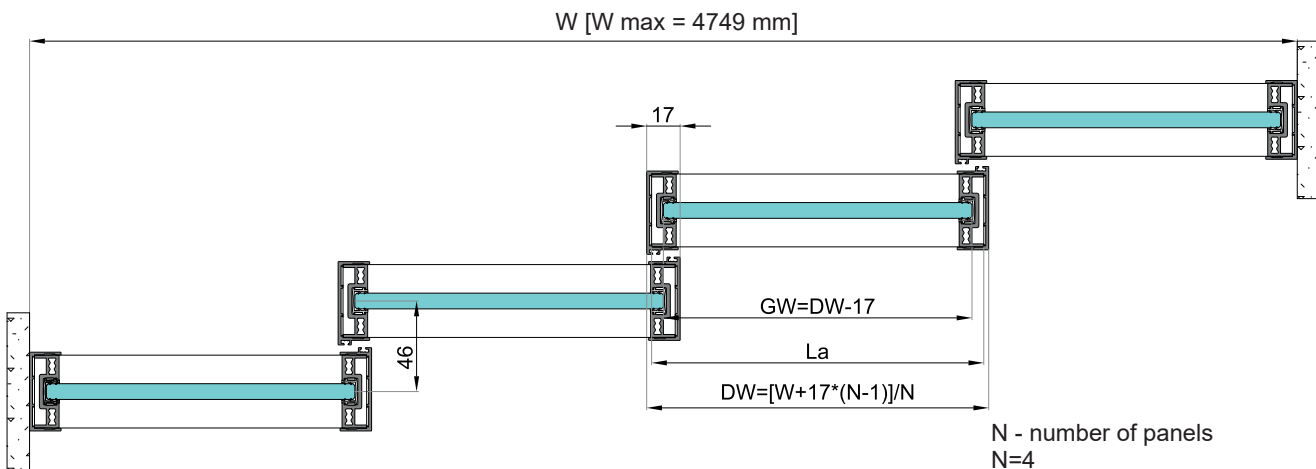
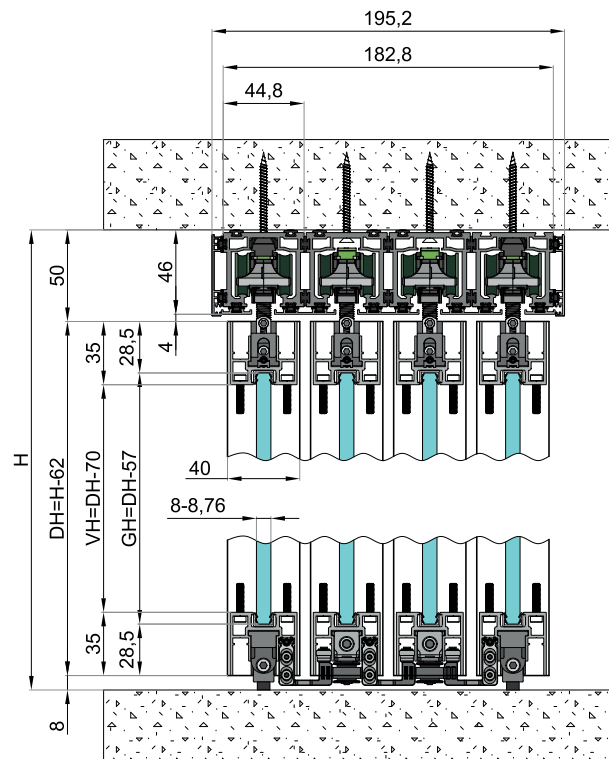
Properties	
Glass thickness	8-8,76 mm
Material	aluminium
Max. opening width	4749 mm



SET - 4 sliding doors

MGC-SET-4-6000

H - opening height
 W - opening width
 DH - door height
 DW - door width
 GH - glass height
 GW - glass width
 W=T - running track length
 La - horizontal profile length
 Lb=VH - vertical base profile length
 Lc=DH - vertical cover length



N - number of panels
 N=4

The drawing above is only illustrative drawings. It is used to determine the width of the panels.



MGC-SET-5 - closed



MGC-SET-5 - open - hidden

MAGIC sliding system

SET - 5 sliding doors

MGC-SET-5



One set includes:

MGC-AC-1/2 - MAGIC Set for outer doors with damping, soft close, 80 kg	2 set
MGC-AC-4 - MAGIC Set for middle doors (≥4 sliding panels)	3 set
MGC-TOP-001-6000-B - MAGIC running track with side covers L=6000 mm	1 set
MGC-TOP-002-6000-B - MAGIC running track with middle cover L=6000 mm	4 set
MGC-FR-001-3000-B - MAGIC frame profiles for outer doors L=3000 mm	2 set
MGC-FR-002-3000-B - MAGIC frame profiles for middle doors L=3000 mm	3 set

Product code	Finish
MGC-SET-5	black

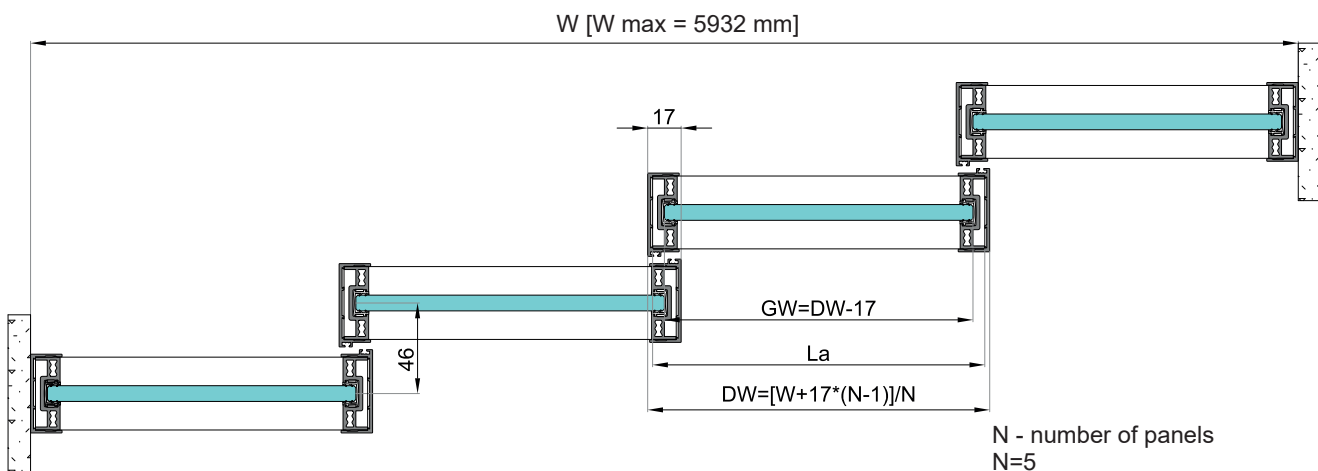
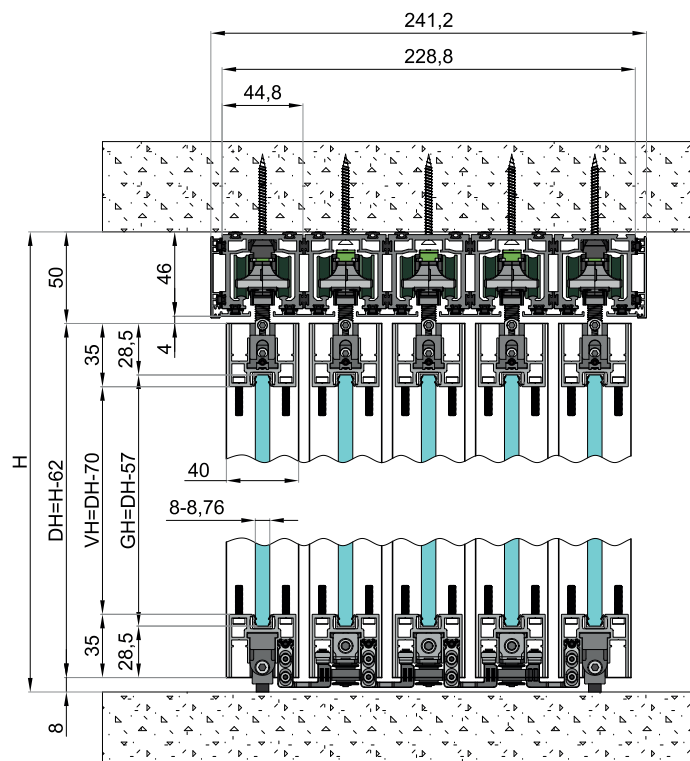
Properties	
Glass thickness	8-8,76 mm
Material	aluminium
Max. opening width	5932 mm



SET - 5 sliding doors

MGC-SET-5

H - opening height
 W - opening width
 DH - door height
 DW - door width
 GH - glass height
 GW - glass width
 W=T - running track length
 La - horizontal profile length
 Lb=VH - vertical base profile length
 Lc=DH - vertical cover length



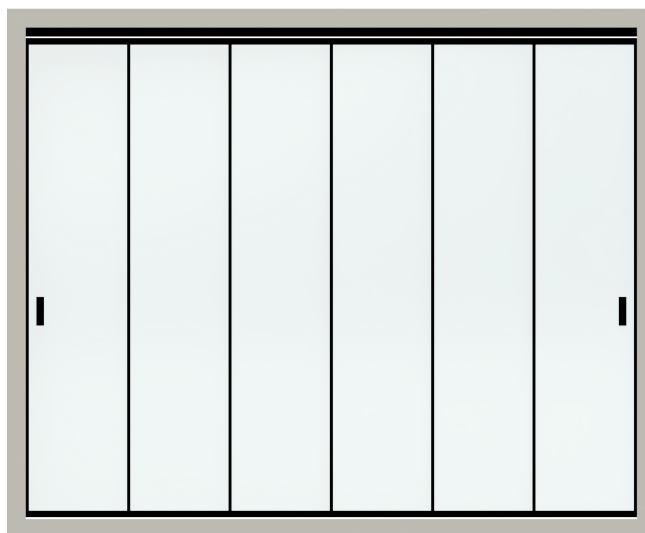
N - number of panels
 N=5

The drawing above is only illustrative drawings. It is used to determine the width of the panels.

MAGIC sliding system

SET - 6 sliding doors

MGC-SET-6



One set includes:

MGC-AC-1/2 - MAGIC Set for outer doors with damping, soft close, 80 kg	2 set
MGC-AC-4 - MAGIC Set for middle doors (≥4 sliding panels)	4 set
MGC-TOP-001-6000-B - MAGIC running track with side covers L=6000 mm	1 set
MGC-TOP-002-6000-B - MAGIC running track with middle cover L=6000 mm	5 set
MGC-FR-001-3000-B - MAGIC frame profiles for outer doors L=3000 mm	2 set
MGC-FR-002-3000-B - MAGIC frame profiles for middle doors L=3000 mm	4 set

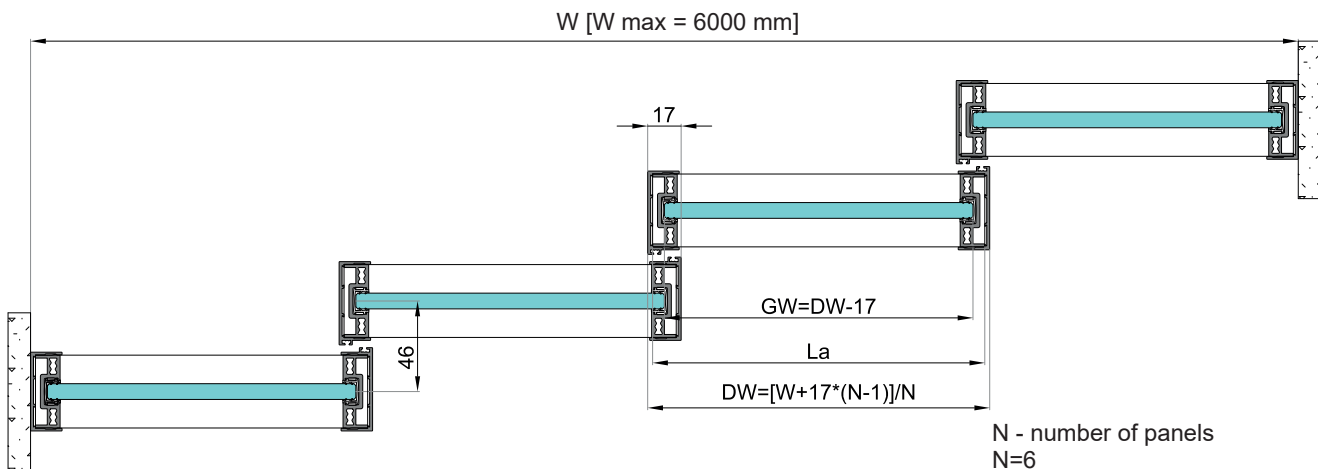
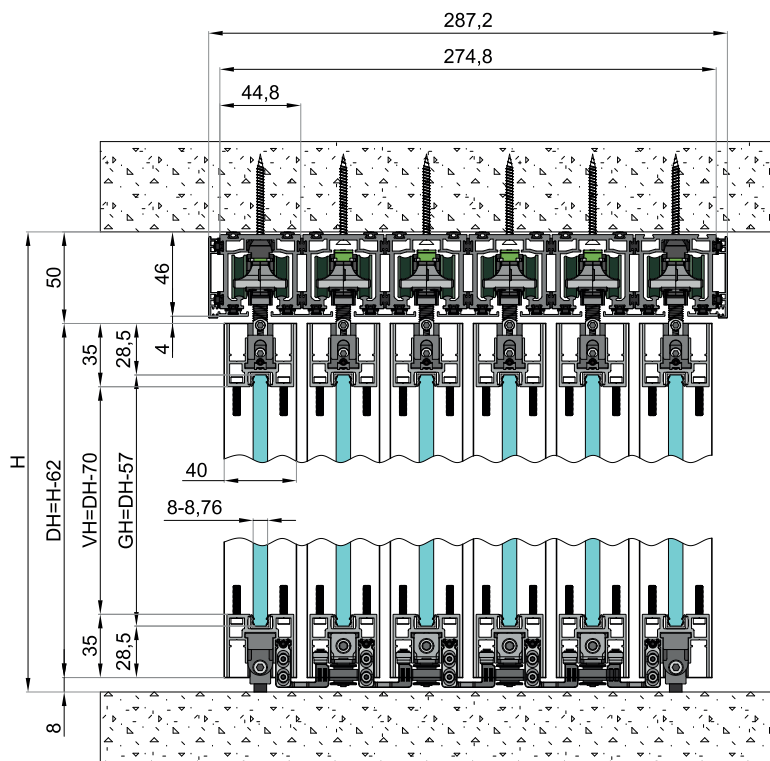
Product code	Finish
MGC-SET-6	black
Properties	
Glass thickness	8-8,76 mm
Material	aluminium
Max. opening width	6000 mm



SET - 6 sliding doors

MGC-SET-6

H - opening height
 W - opening width
 DH - door height
 DW - door width
 GH - glass height
 GW - glass width
 W=T - running track length
 La - horizontal profile length
 Lb=VH - vertical base profile length
 Lc=DH - vertical cover length

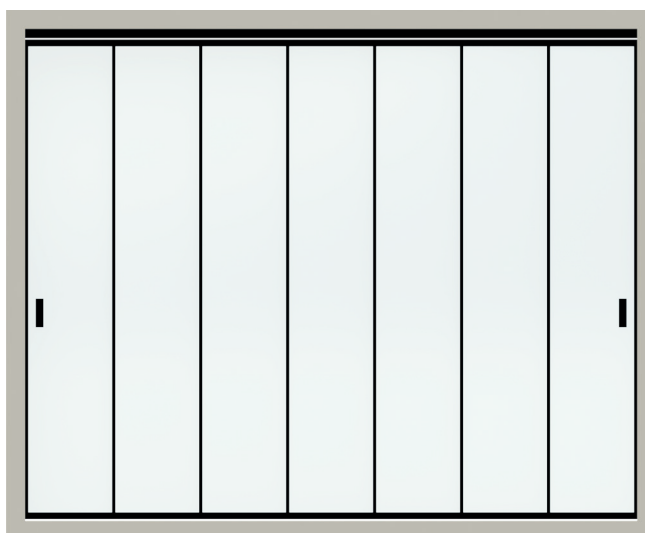


N - number of panels
 N=6

The drawing above is only illustrative drawings. It is used to determine the width of the panels.

SET - 7 sliding doors

MGC-SET-7



One set includes:

MGC-AC-1/2 - MAGIC Set for outer doors with damping, soft close, 80 kg	2 set
MGC-AC-4 - MAGIC Set for middle doors (≥4 sliding panels)	5 set
MGC-TOP-001-6000-B - MAGIC running track with side covers L=6000 mm	1 set
MGC-TOP-002-6000-B - MAGIC running track with middle cover L=6000 mm	6 set
MGC-TOP-001-3000-B - MAGIC running track with side covers L=3000 mm	1 set
MGC-TOP-002-6000-B - MAGIC running track with middle cover L=3000 mm	6 set
MGC-FR-001-3000-B - MAGIC frame profiles for outer doors L=3000 mm	2 set
MGC-FR-002-3000-B - MAGIC frame profiles for middle doors L=3000 mm	5 set

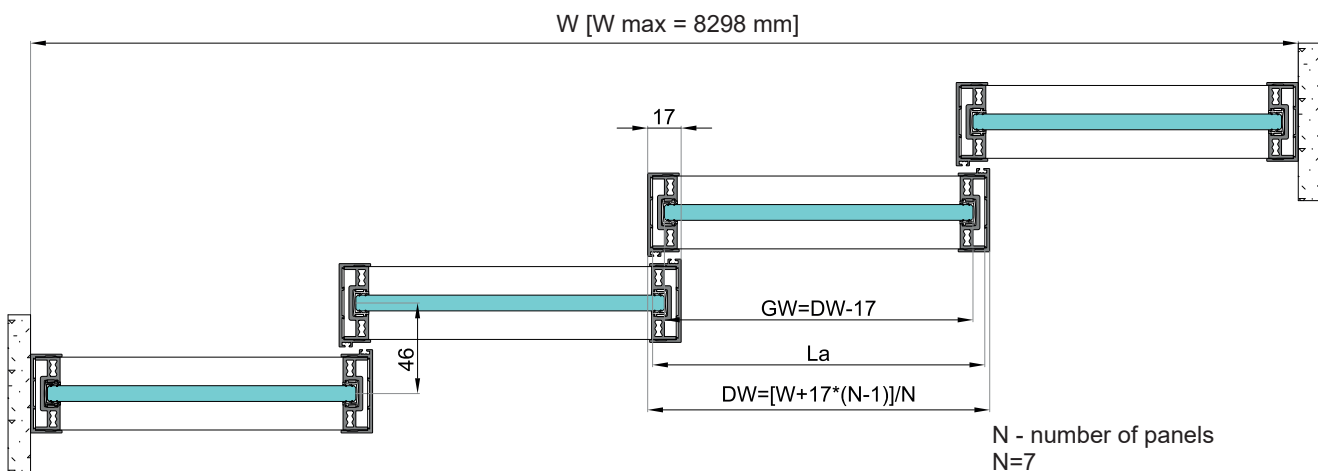
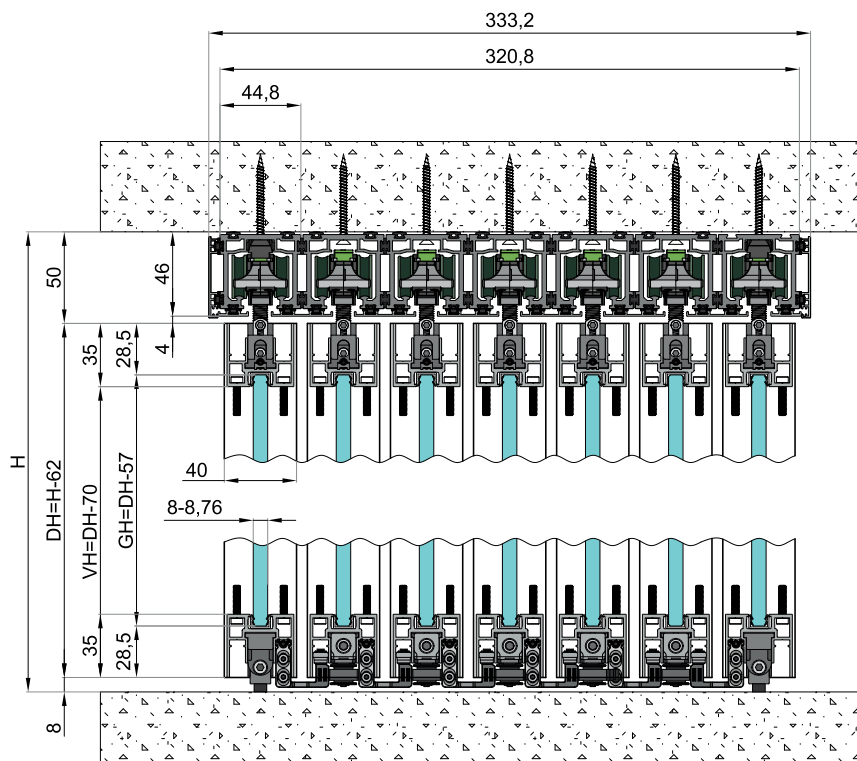
Product code	Finish
MGC-SET-7	black
Properties	
Glass thickness	8-8,76 mm
Material	aluminium
Max. opening width	8298 mm



SET - 7 sliding doors

MGC-SET-7

H - opening height
 W - opening width
 DH - door height
 DW - door width
 GH - glass height
 GW - glass width
 W=T - running track length
 La - horizontal profile length
 Lb=VH - vertical base profile length
 Lc=DH - vertical cover length

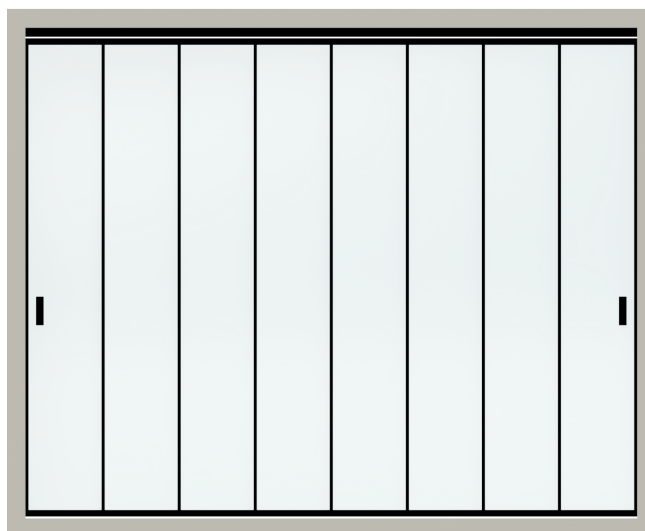


The drawing above is only illustrative drawings. It is used to determine the width of the panels.

MAGIC sliding system

SET - 8 sliding doors

MGC-SET-8



One set includes:

MGC-AC-1/2 - MAGIC Set for outer doors with damping, soft close, 80 kg	2 set
MGC-AC-4 - MAGIC Set for middle doors (≥4 sliding panels)	6 set
MGC-TOP-001-6000-B - MAGIC running track with side covers L=6000 mm	1 set
MGC-TOP-002-6000-B - MAGIC running track with middle cover L=6000 mm	7 set
MGC-TOP-001-3000-B - MAGIC running track with side covers L=3000 mm	1 set
MGC-TOP-002-6000-B - MAGIC running track with middle cover L=3000 mm	7 set
MGC-FR-001-3000-B - MAGIC frame profiles for outer doors L=3000 mm	2 set
MGC-FR-002-3000-B - MAGIC frame profiles for middle doors L=3000 mm	6 set

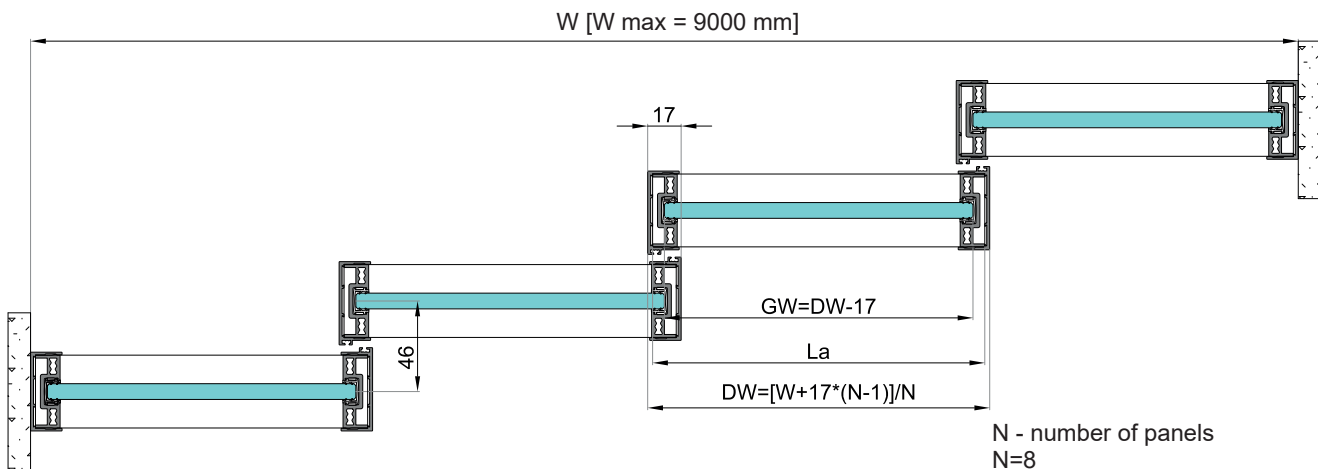
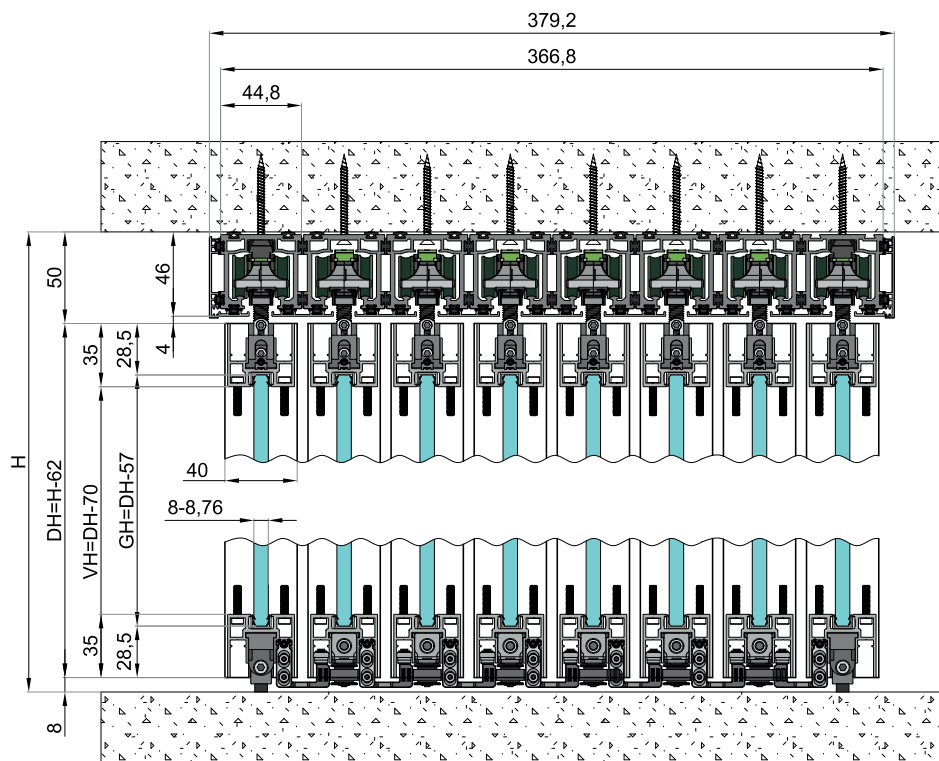
Product code	Finish
MGC-SET-8	black
Properties	
Glass thickness	8-8,76 mm
Material	aluminium
Max. opening width	9000 mm



SET - 8 sliding doors

MGC-SET-8

H - opening height
 W - opening width
 DH - door height
 DW - door width
 GH - glass height
 GW - glass width
 W=T - running track length
 La - horizontal profile length
 Lb=VH - vertical base profile length
 Lc=DH - vertical cover length



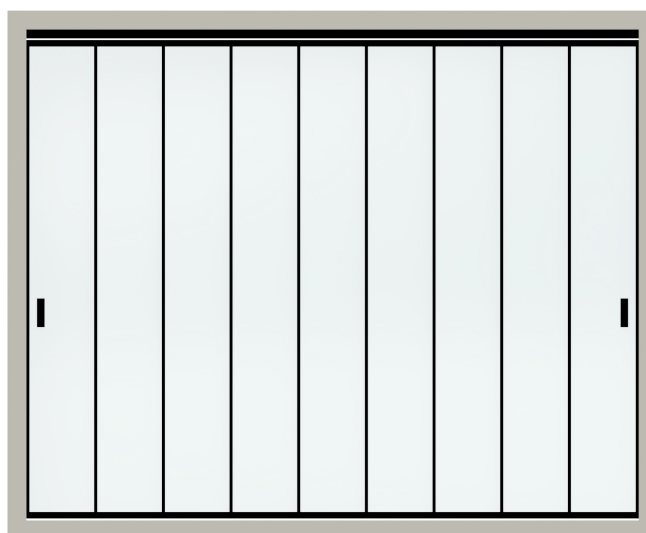
N - number of panels
 N=8

The drawing above is only illustrative drawings. It is used to determine the width of the panels.

MAGIC sliding system

SET - 9 sliding doors

MGC-SET-9



One set includes:

MGC-AC-1/2 - MAGIC Set for outer doors with damping, soft close, 80 kg	2 set
MGC-AC-4 - MAGIC Set for middle doors (≥4 sliding panels)	7 set
MGC-TOP-001-6000-B - MAGIC running track with side covers L=6000 mm	2 set
MGC-TOP-002-6000-B - MAGIC running track with middle cover L=6000 mm	16 set
MGC-FR-001-3000-B - MAGIC frame profiles for outer doors L=3000 mm	2 set
MGC-FR-002-3000-B - MAGIC frame profiles for middle doors L=3000 mm	7 set

Product code	Finish
MGC-SET-9	black

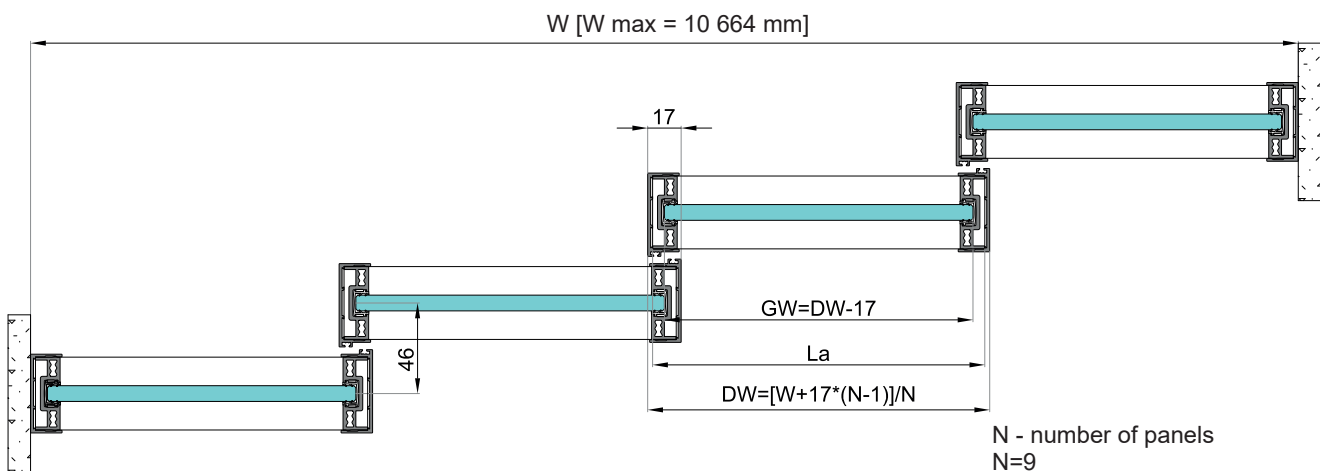
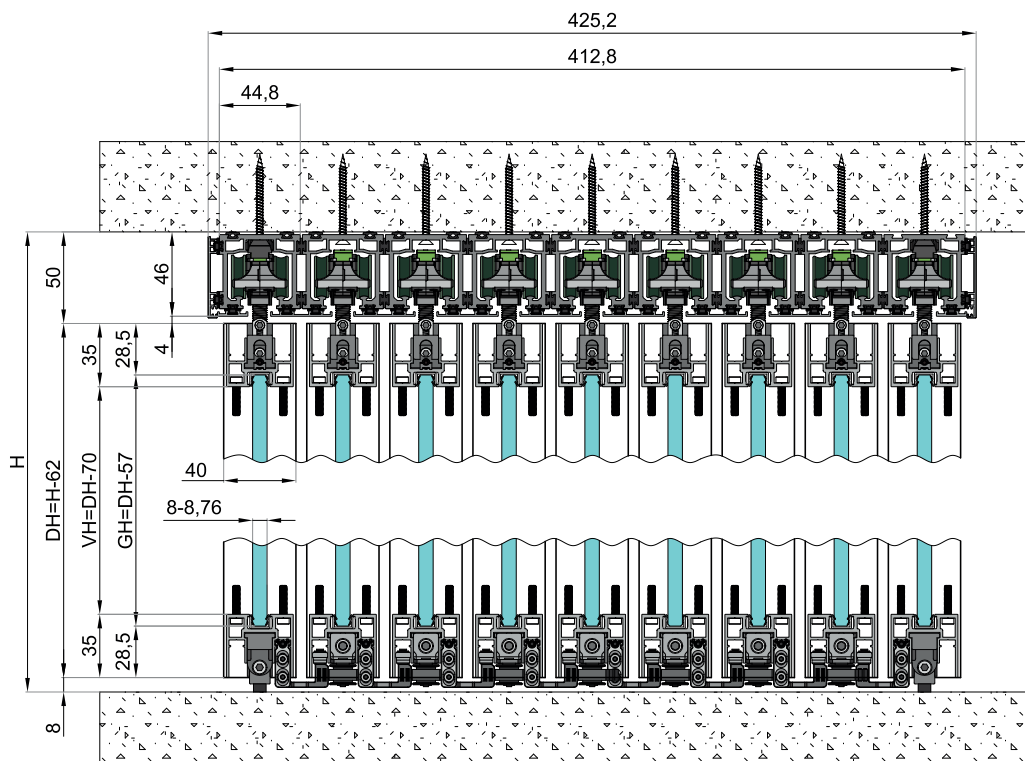
Properties	
Glass thickness	8-8,76 mm
Material	aluminium
Max. opening width	10 664 mm



SET - 9 sliding doors

MGC-SET-9

H - opening height
 W - opening width
 DH - door height
 DW - door width
 GH - glass height
 GW - glass width
 W=T - running track length
 La - horizontal profile length
 Lb=VH - vertical base profile length
 Lc=DH - vertical cover length



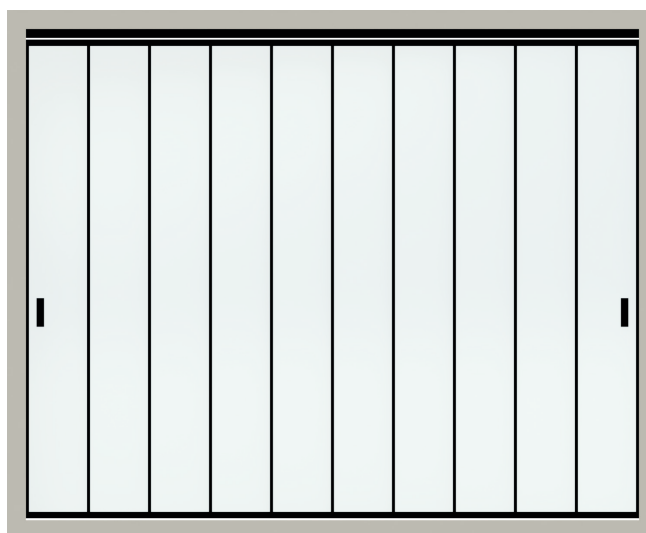
N - number of panels
 N=9

The drawing above is only illustrative drawings. It is used to determine the width of the panels.

MAGIC sliding system

SET - 10 sliding doors

MGC-SET-10

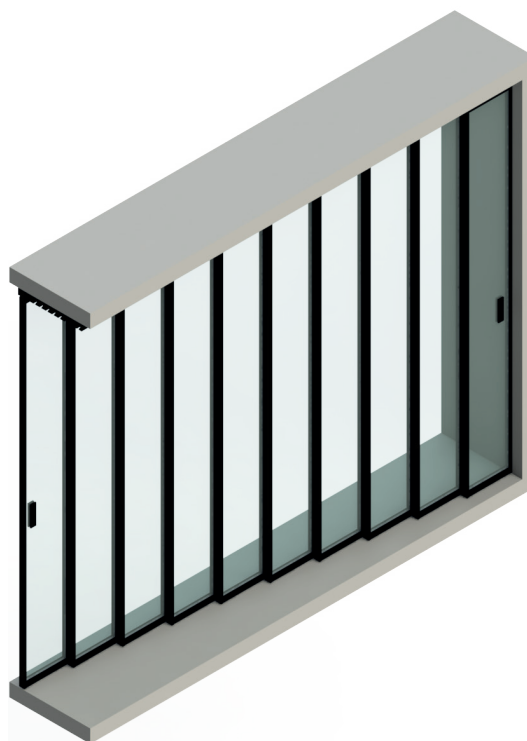


One set includes:

MGC-AC-1/2 - MAGIC Set for outer doors with damping, soft close, 80 kg	2 set
MGC-AC-4 - MAGIC Set for middle doors (≥4 sliding panels)	8 set
MGC-TOP-001-6000-B - MAGIC running track with side covers L=6000 mm	2 set
MGC-TOP-002-6000-B - MAGIC running track with middle cover L=6000 mm	18 set
MGC-FR-001-3000-B - MAGIC frame profiles for outer doors L=3000 mm	2 set
MGC-FR-002-3000-B - MAGIC frame profiles for middle doors L=3000 mm	8 set

Product code	Finish
MGC-SET-10	black

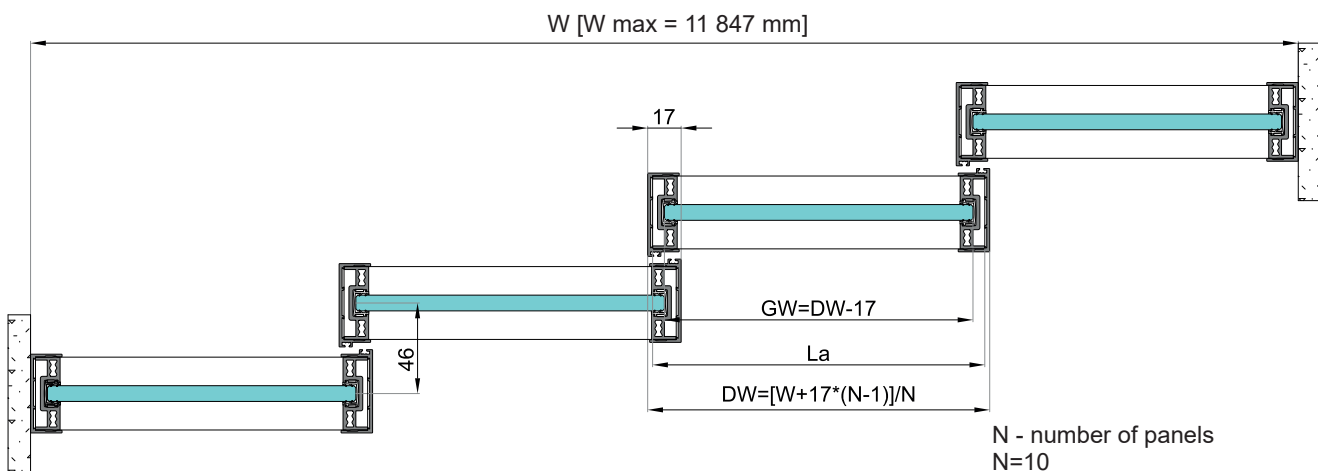
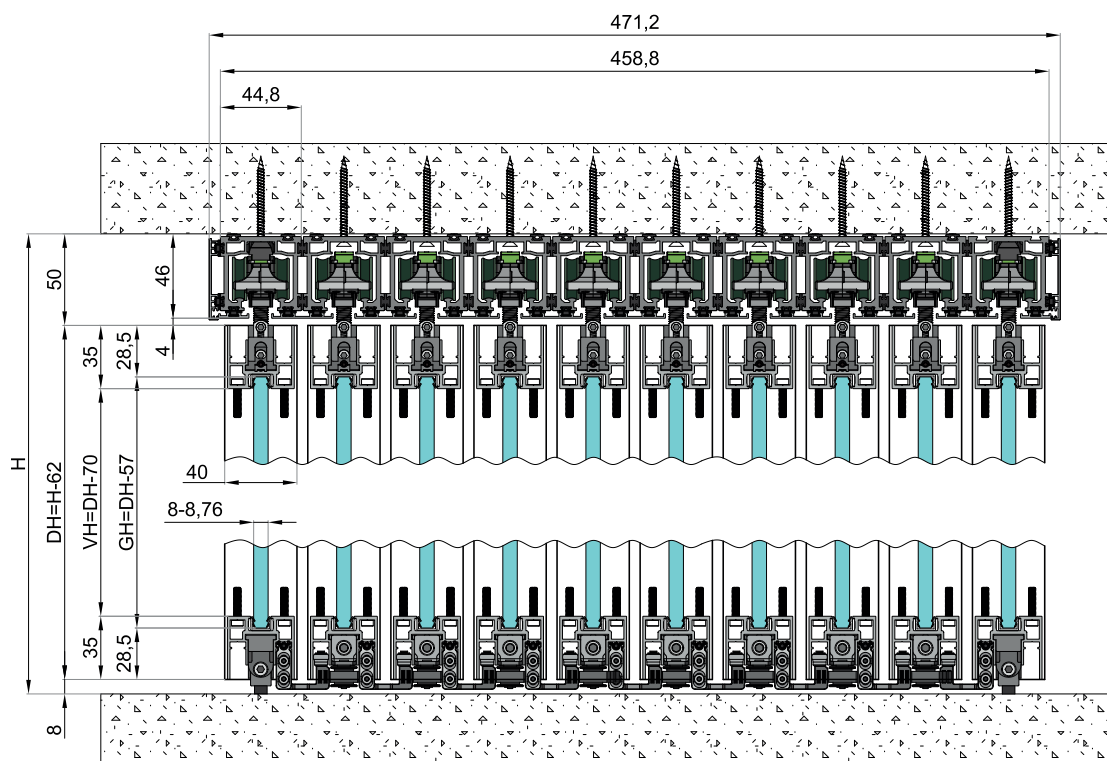
Properties	
Glass thickness	8-8,76 mm
Material	aluminium
Max. opening width	11 847 mm



SET - 10 sliding doors

MGC-SET-10

H - opening height
 W - opening width
 DH - door height
 DW - door width
 GH - glass height
 GW - glass width
 W=T - running track length
 La - horizontal profile length
 Lb=VH - vertical base profile length
 Lc=DH - vertical cover length



N - number of panels
 N=10

The drawing above is only illustrative drawings. It is used to determine the width of the panels.



MGC-SET-1-DOUBLE-C - closed

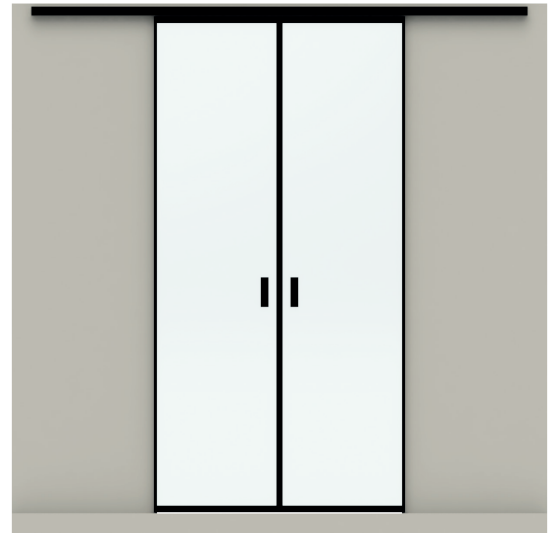
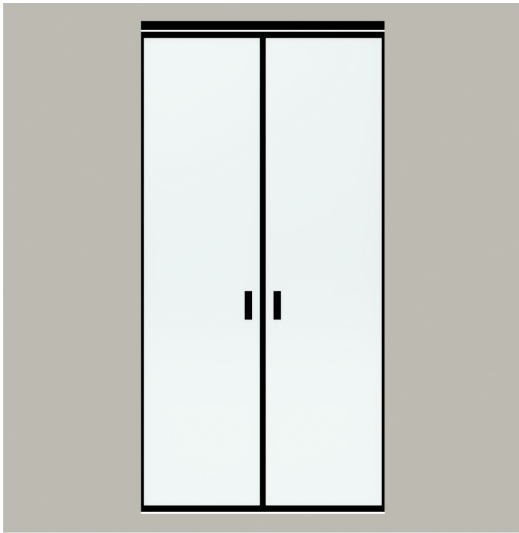


MGC-SET-1-DOUBLE-C - open

MAGIC sliding system

**SET - 2 sliding doors - ceiling mounting -
sliding sideways (1 running track)**

MGC-SET-1-DOUBLE-C

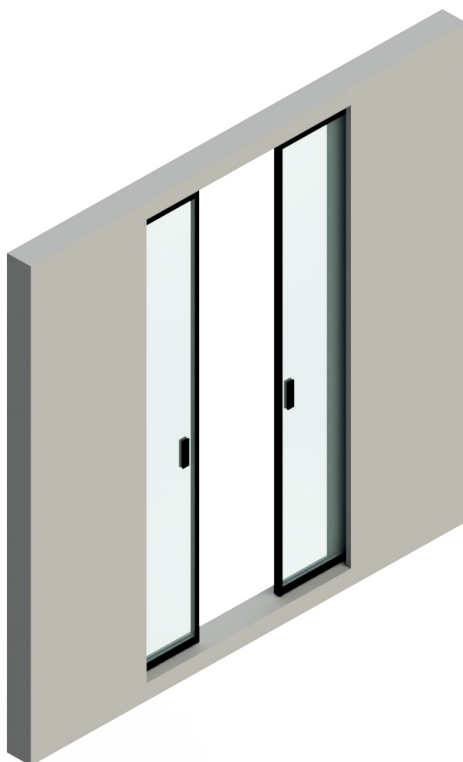


One set includes:

MGC-AC-1/2 - MAGIC Set for outer doors with damping, soft close, 80 kg	2 set
MGC-TOP-001-3000-B - MAGIC running track with side covers L=3000 mm	1 set
MGC-FR-1/2-3000-B - MAGIC frame profiles for single/double doors L=3000 mm	2 set

Product code	Finish
MGC-SET-1-DOUBLE-C	black
Properties	
Glass thickness	8-8,76 mm
Material	aluminium
Max. opening width	(1) 2400 (2) 2368 mm

1



2

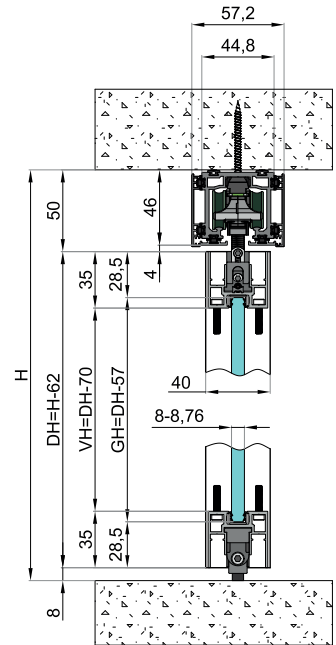


MAGIC sliding system

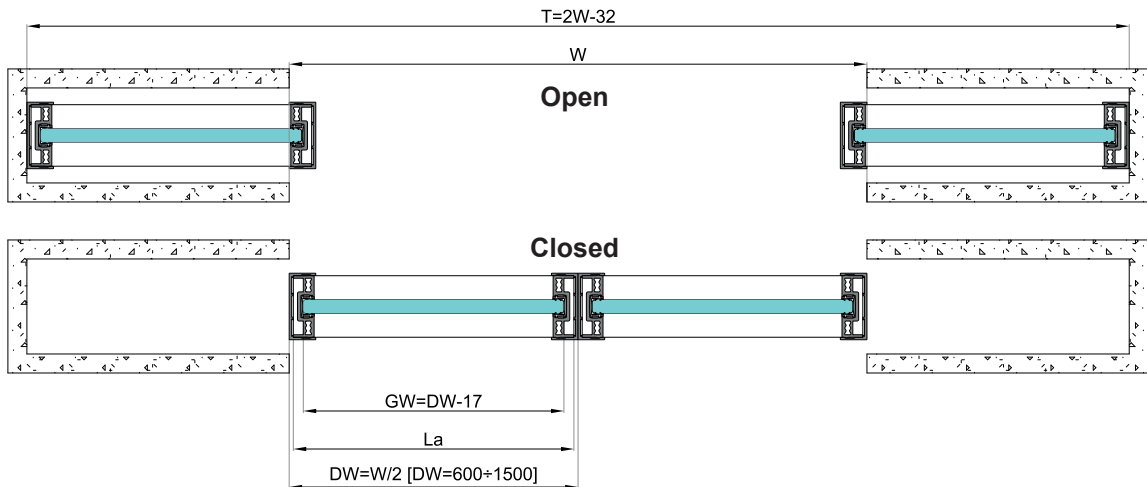
SET - 2 sliding doors - ceiling mounting - sliding sideways (1 running track)

MGC-SET-1-DOUBLE-C

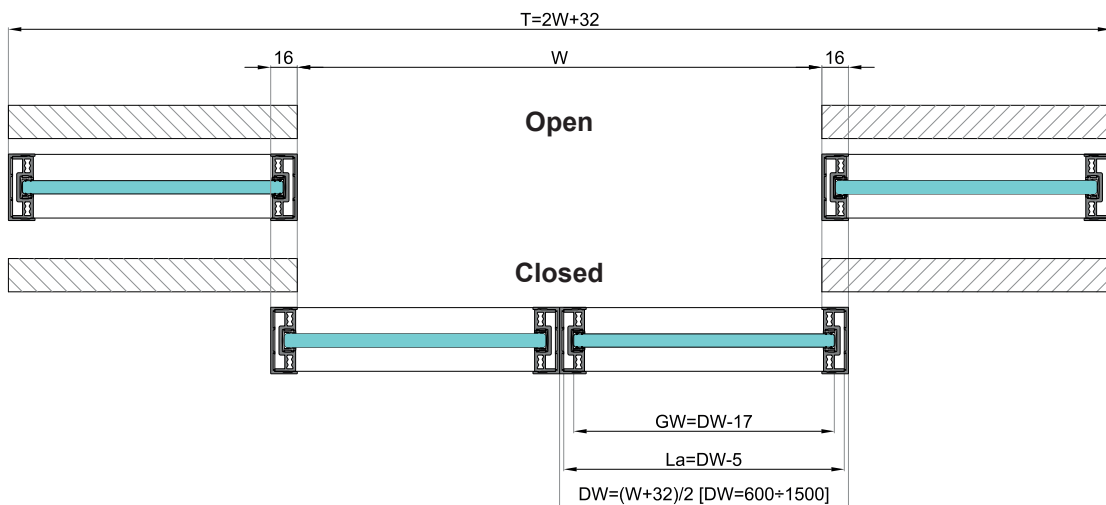
H - opening height
 W - opening width
 DH - door height
 DW - door width
 GH - glass height
 GW - glass width
 T - running track length
 La - horizontal profile length
 Lb=VH - vertical base profile length
 Lc=DH - vertical cover length



1



2

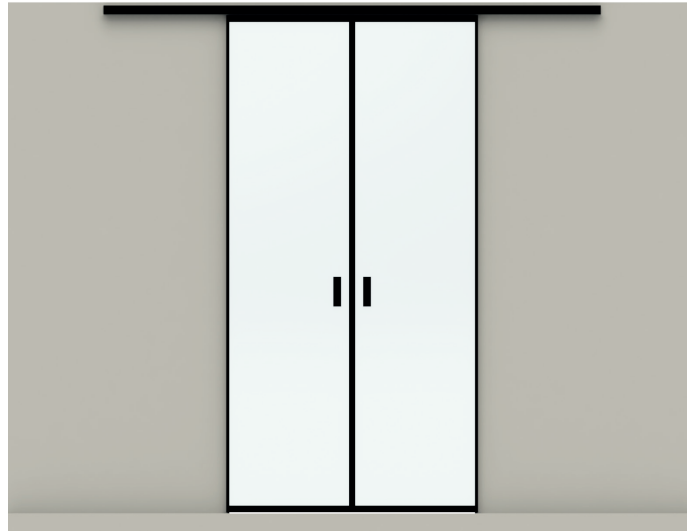


The drawings above are only illustrative drawings. They are used to determine the width of the panels.

MAGIC sliding system

**SET - 2 sliding doors - wall mounting -
sliding sideways (1 running track)**

MGC-SET-1-DOUBLE-W



One set includes:

MGC-AC-1/2 - MAGIC Set for outer doors with damping, soft close, 80 kg	2 set
MGC-WALL-2500-B - MAGIC running track, wall mounting, with side cover, L=2500 mm	1 set
MGC-FR-1/2-3000-B - MAGIC frame profiles for single/double doors L=3000 mm	2 set

Product code	Finish
MGC-SET-1-DOUBLE-W	black

Properties	
Glass thickness	8-8,76 mm
Material	aluminium
Max. opening width	2368 mm

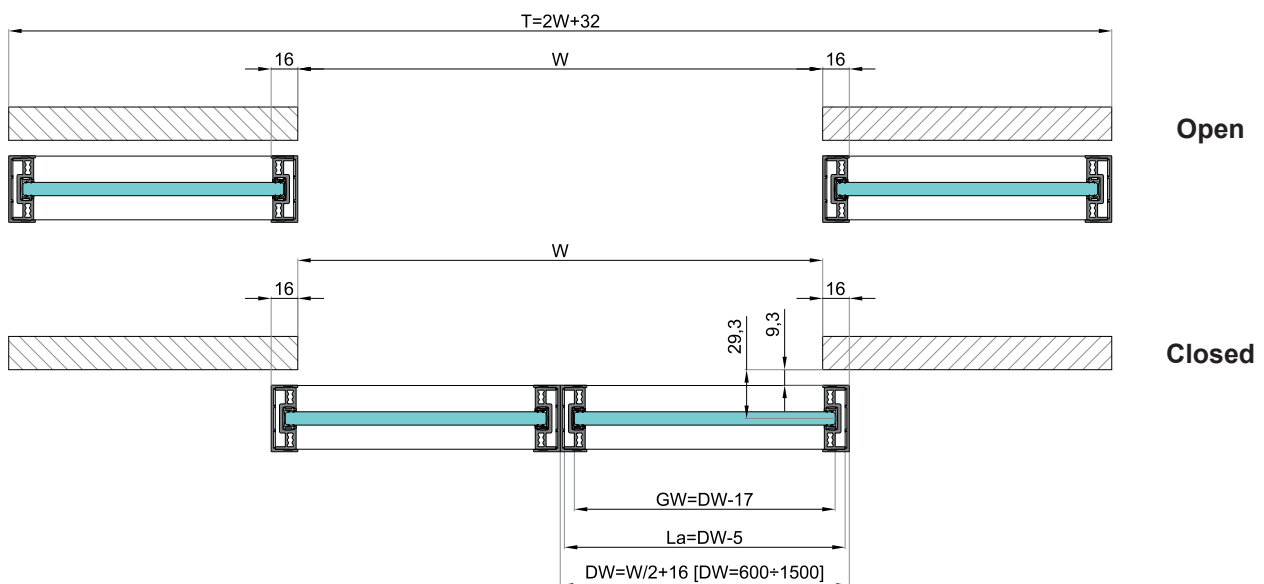
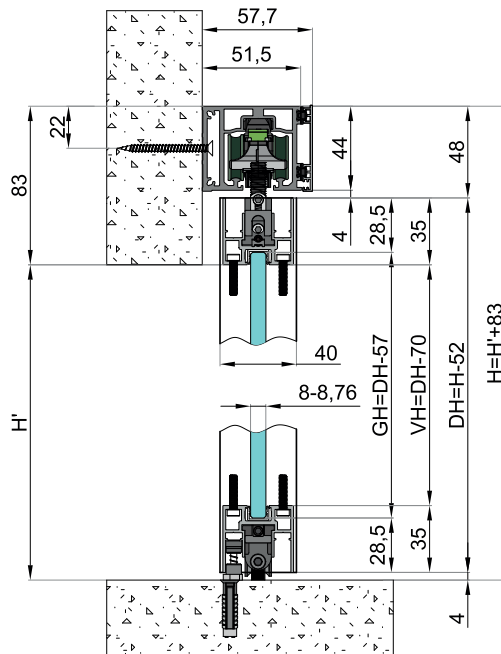


MAGIC sliding system

SET - 2 sliding doors - wall mounting - sliding sideways (1 running track)

MGC-SET-1-DOUBLE-W

H - installation height
 H' - opening height
 W - opening width
 DH - door height
 DW - door width
 GH - glass height
 GW - glass width
 T - running track length
 La - horizontal profile length
 Lb=VH - vertical base profile length
 Lc=DH - vertical cover length



The drawing above is only illustrative drawings. It is used to determine the width of the panels.



MGC-SET-2-DOUBLE - closed - hidden



MGC-SET-2-DOUBLE - open - hidden

MAGIC sliding system

Set - 4 sliding doors -
sliding sideways (2 tracks)

MGC-SET-2-DOUBLE-3000



One set includes:

MGC-AC-1/2 - MAGIC Set for outer doors with damping, soft close, 80 kg	4 set
MGC-TOP-001-3000-B - MAGIC running track with side covers L=3000 mm	1 set
MGC-TOP-002-3000-B - MAGIC running track with middle cover L=3000 mm	1 set
MGC-FR-1/2-3000-B - MAGIC frame profiles for single/double doors L=3000 mm	4 set

Product code	Finish
MGC-SET-2-DOUBLE-3000	black

Properties	
Glass thickness	8-8,76 mm
Material	aluminium
Max. opening width	4766 mm

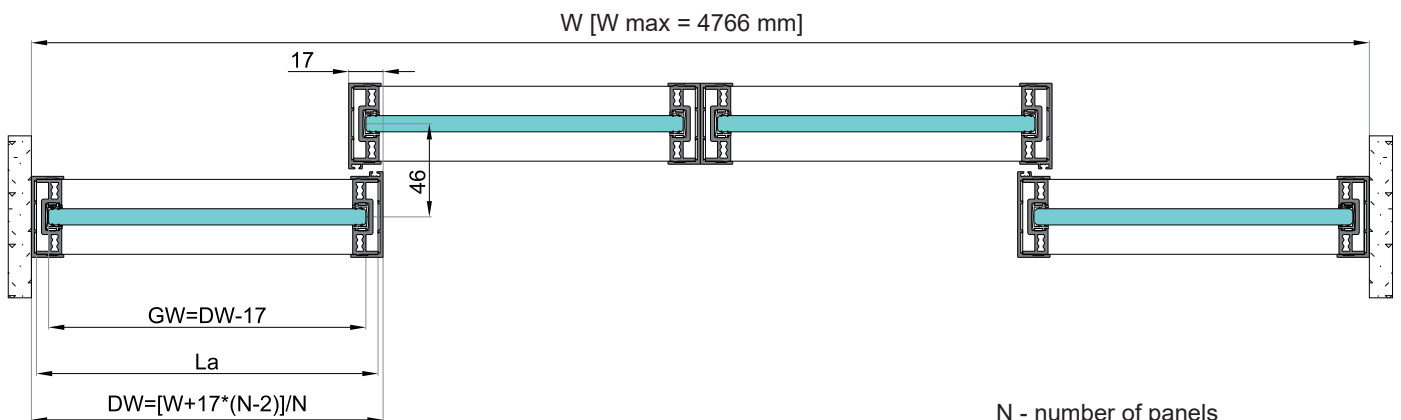
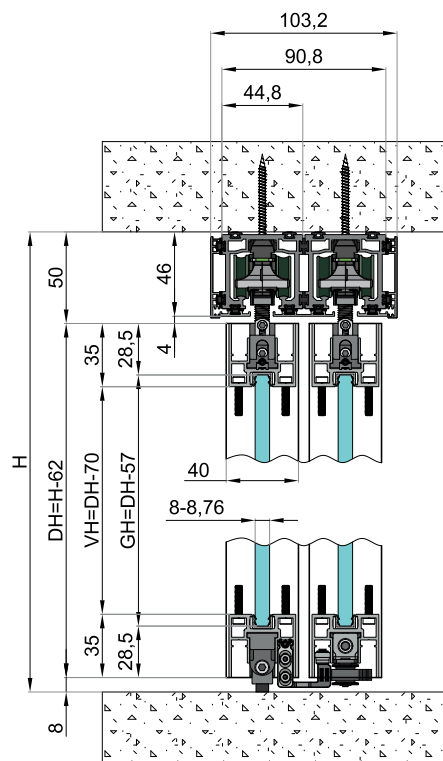


MAGIC sliding system

Set - 4 sliding doors - sliding sideways (2 tracks)

MGC-SET-2-DOUBLE-3000

H - opening height
 W - opening width
 DH - door height
 DW - door width
 GH - glass height
 GW - glass width
 W=T - running track length
 La - horizontal profile length
 Lb=VH - vertical base profile length
 Lc=DH - vertical cover length



N - number of panels
 N=4

The drawing above is only illustrative drawings. It is used to determine the width of the panels.

MAGIC sliding system

Set - 4 sliding doors -
sliding sideways (2 tracks)

MGC-SET-2-DOUBLE-4000



One set includes:

MGC-AC-1/2 - MAGIC Set for outer doors with damping, soft close, 80 kg	4 set
MGC-TOP-001-4000-B - MAGIC running track with side covers L=4000 mm	1 set
MGC-TOP-002-4000-B - MAGIC running track with middle cover L=4000 mm	1 set
MGC-FR-1/2-3000-B - MAGIC frame profiles for single/double doors L=3000 mm	4 set

Product code	Finish
MGC-SET-2-DOUBLE-4000	black

Properties	
Glass thickness	8-8,76 mm
Material	aluminium
Max. opening width	4766 mm

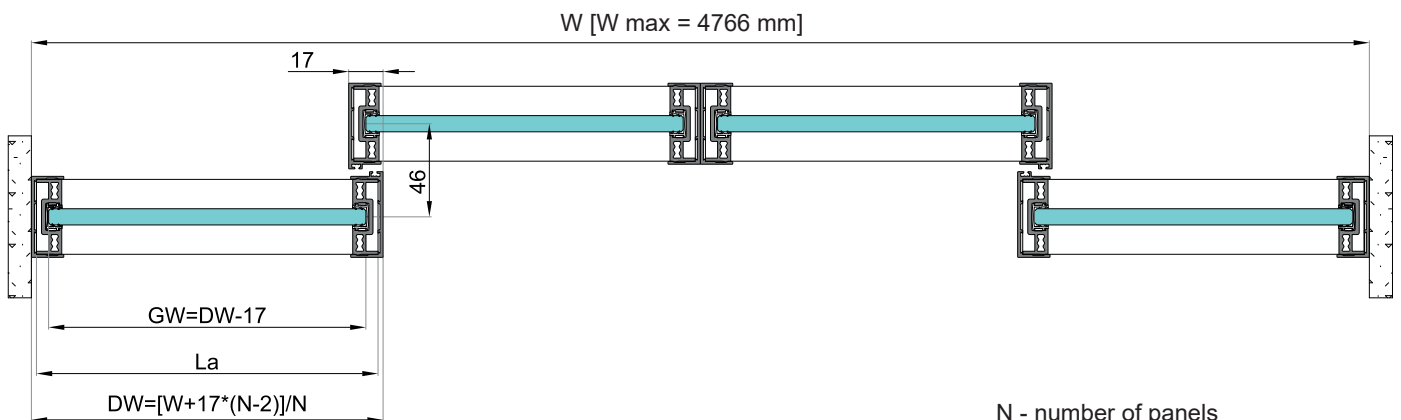
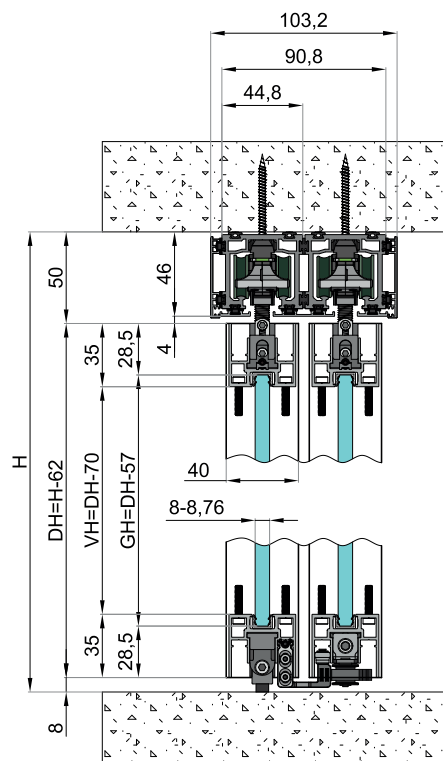


MAGIC sliding system

Set - 4 sliding doors - sliding sideways (2 tracks)

MGC-SET-2-DOUBLE-4000

H - opening height
 W - opening width
 DH - door height
 DW - door width
 GH - glass height
 GW - glass width
 W=T - running track length
 La - horizontal profile length
 Lb=VH - vertical base profile length
 Lc=DH - vertical cover length



N - number of panels
 N=4

The drawing above is only illustrative drawings. It is used to determine the width of the panels.



MGC-SET-3-DOUBLE - closed - hidden



MGC-SET-3-DOUBLE - open - hidden

MAGIC sliding system

Set - 6 sliding doors -
sliding sideways (3 tracks)

MGC-SET-3-DOUBLE



One set includes:

MGC-AC-1/2 - MAGIC Set for outer doors with damping, soft close, 80 kg	4 set
MGC-AC-3 - MAGIC Set for middle doors (3 sliding panels)	2 set
MGC-TOP-001-6000-B - MAGIC running track with side covers L=6000 mm	1 set
MGC-TOP-002-6000-B - MAGIC running track with middle cover L=6000 mm	2 set
MGC-FR-001-3000-B - MAGIC frame profiles for outer doors L=3000 mm	4 set
MGC-FR-002-3000-B - MAGIC frame profiles for middle doors L=3000 mm	2 set

Product code	Finish
MGC-SET-3-DOUBLE	black

Properties	
Glass thickness	8-8,76 mm
Material	aluminium
Max. opening width	6000 mm

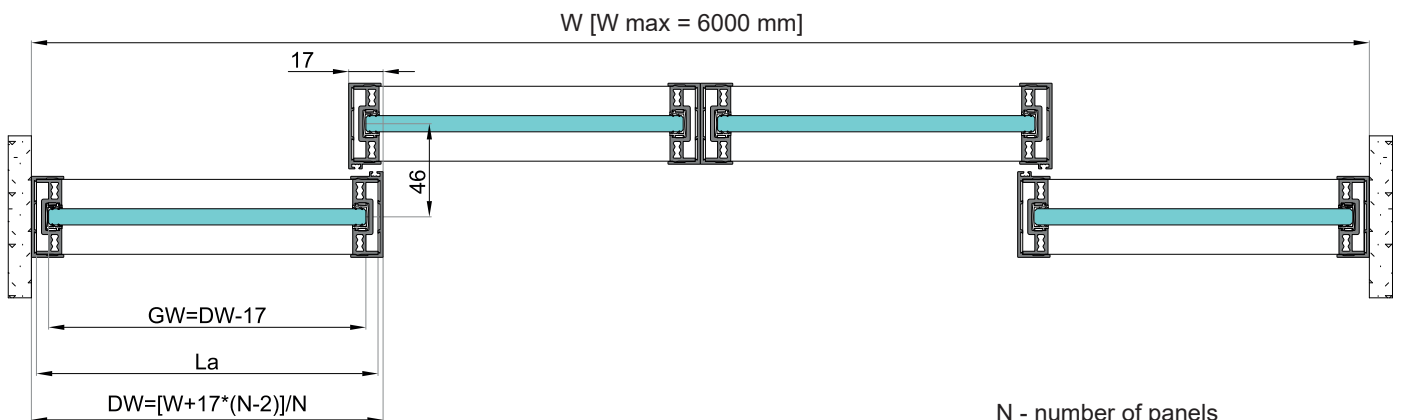
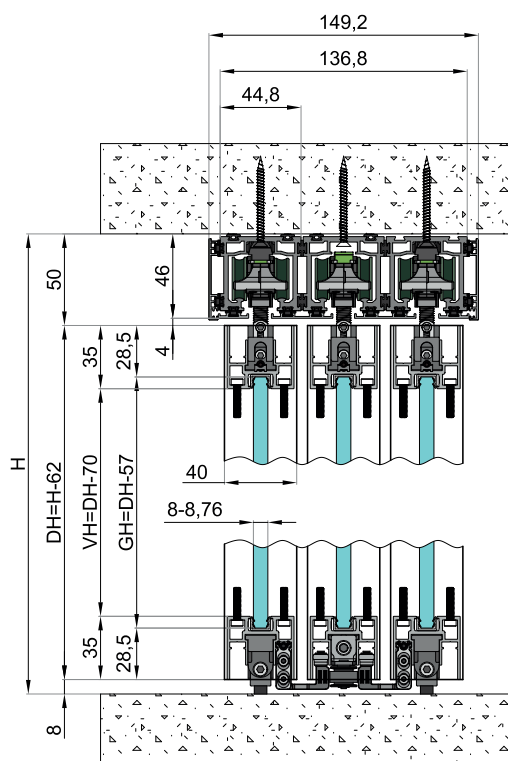


MAGIC sliding system

Set - 6 sliding doors - sliding sideways (3 tracks)

MGC-SET-3-DOUBLE

H - opening height
 W - opening width
 DH - door height
 DW - door width
 GH - glass height
 GW - glass width
 W=T - running track length
 La - horizontal profile length
 Lb=VH - vertical base profile length
 Lc=DH - vertical cover length



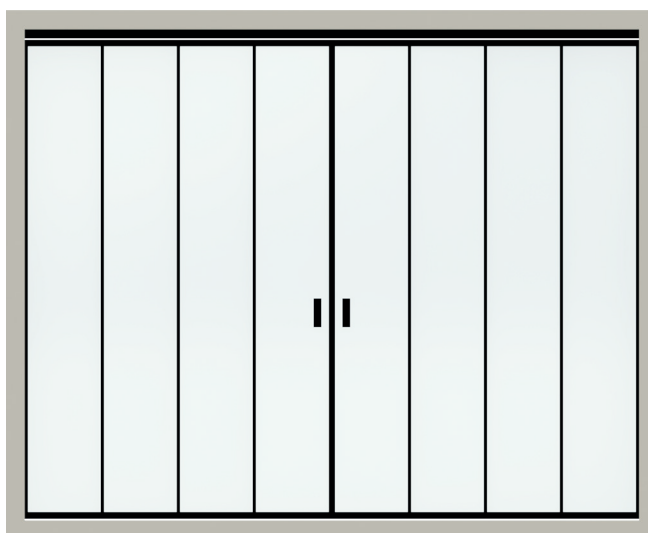
N - number of panels
 N=6

The drawing above is only illustrative drawings. It is used to determine the width of the panels.

MAGIC sliding system

Set - 8 sliding doors -
sliding sideways (4 tracks)

MGC-SET-4-DOUBLE



One set includes:

MGC-AC-1/2 - MAGIC Set for outer doors with damping, soft close, 80 kg	4 set
MGC-AC-4 - MAGIC Set for middle doors (≥4 sliding panels)	4 set
MGC-TOP-001-6000-B - MAGIC running track with side covers L=6000 mm	1,5 set
MGC-TOP-002-6000-B - MAGIC running track with middle cover L=6000 mm	4,5 set
MGC-FR-001-3000-B - MAGIC frame profiles for outer doors L=3000 mm	4 set
MGC-FR-002-3000-B - MAGIC frame profiles for middle doors L=3000 mm	4 set

Product code	Finish
MGC-SET-4-DOUBLE	black

Properties	
Glass thickness	8-8,76 mm
Material	aluminium
Max. opening width	9000 mm

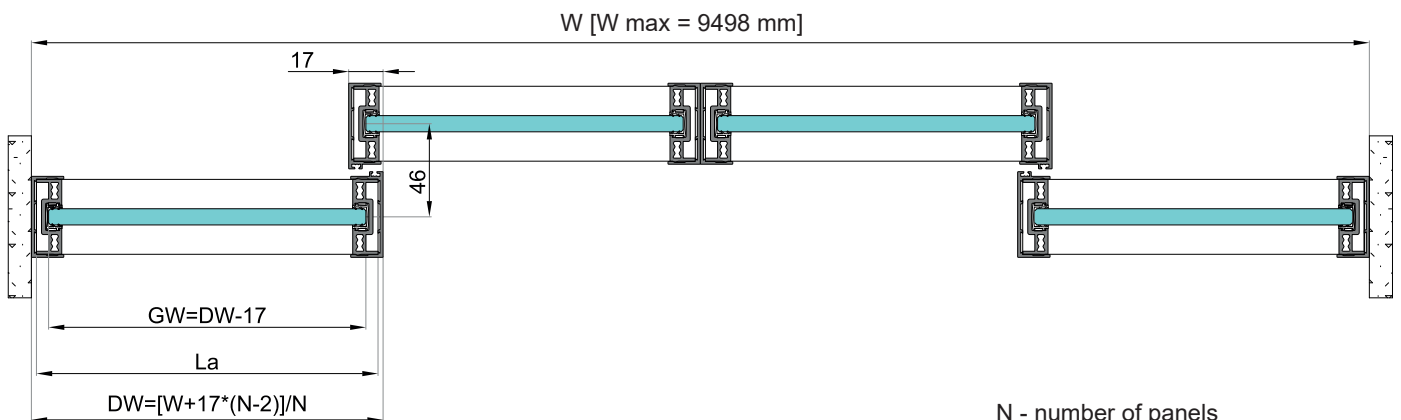
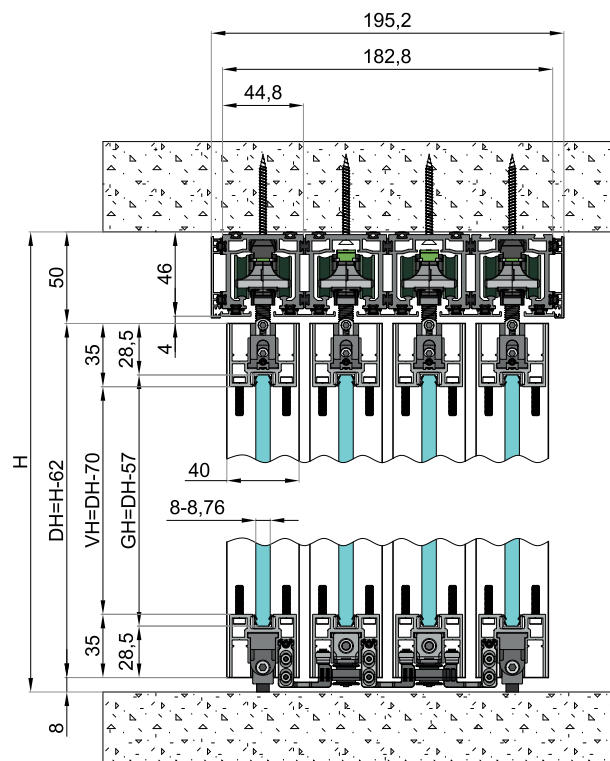


MAGIC sliding system

Set - 8 sliding doors - sliding sideways (4 tracks)

MGC-SET-4-DOUBLE

H - opening height
 W - opening width
 DH - door height
 DW - door width
 GH - glass height
 GW - glass width
 W=T - running track length
 La - horizontal profile length
 Lb=VH - vertical base profile length
 Lc=DH - vertical cover length



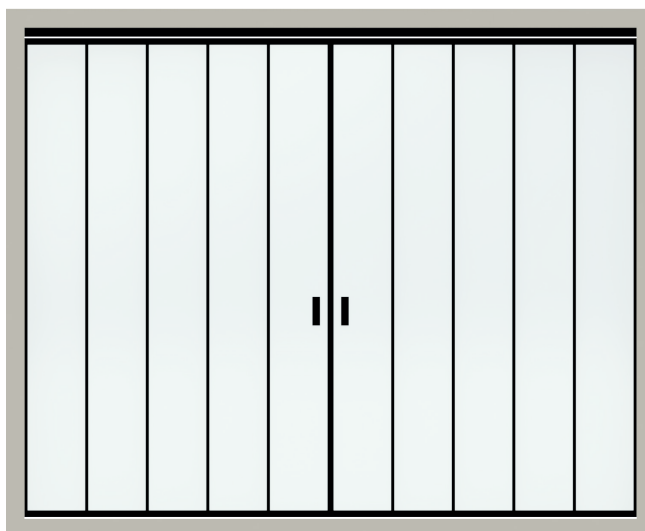
N - number of panels
 N=8

The drawing above is only illustrative drawings. It is used to determine the width of the panels.

MAGIC sliding system

Set - 10 sliding doors -
sliding sideways (5 tracks)

MGC-SET-5-DOUBLE



One set includes:

MGC-AC-1/2 - MAGIC Set for outer doors with damping, soft close, 80 kg	4 set
MGC-AC-4 - MAGIC Set for middle doors (≥4 sliding panels)	6 set
MGC-TOP-001-6000-B - MAGIC running track with side covers L=6000 mm	2 set
MGC-TOP-002-6000-B - MAGIC running track with middle cover L=6000 mm	8 set
MGC-FR-001-3000-B - MAGIC frame profiles for outer doors L=3000 mm	4 set
MGC-FR-002-3000-B - MAGIC frame profiles for middle doors L=3000 mm	6 set

Product code	Finish
MGC-SET-5-DOUBLE	black

Properties	
Glass thickness	8-8,76 mm
Material	aluminium
Max. opening width	11 864 mm

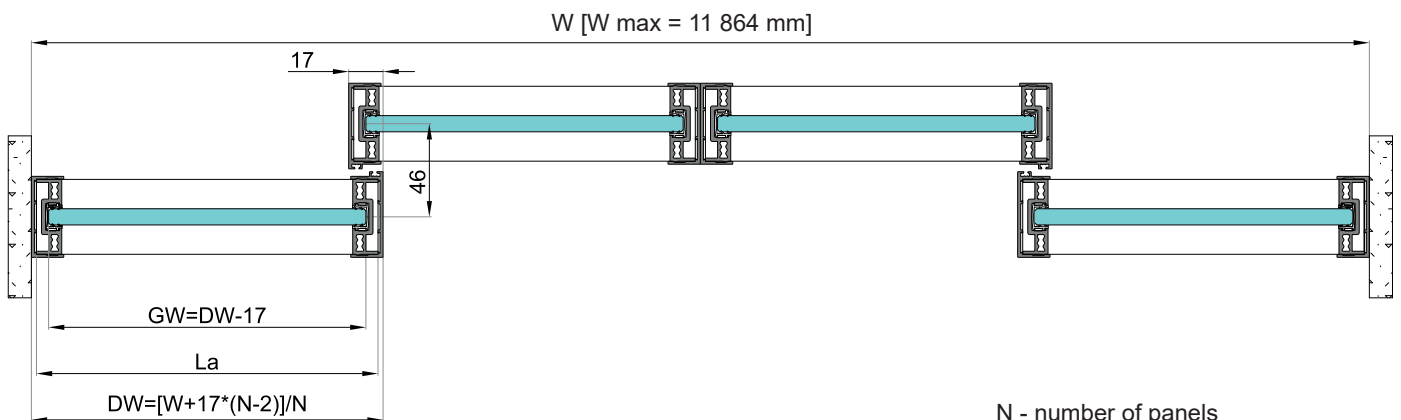
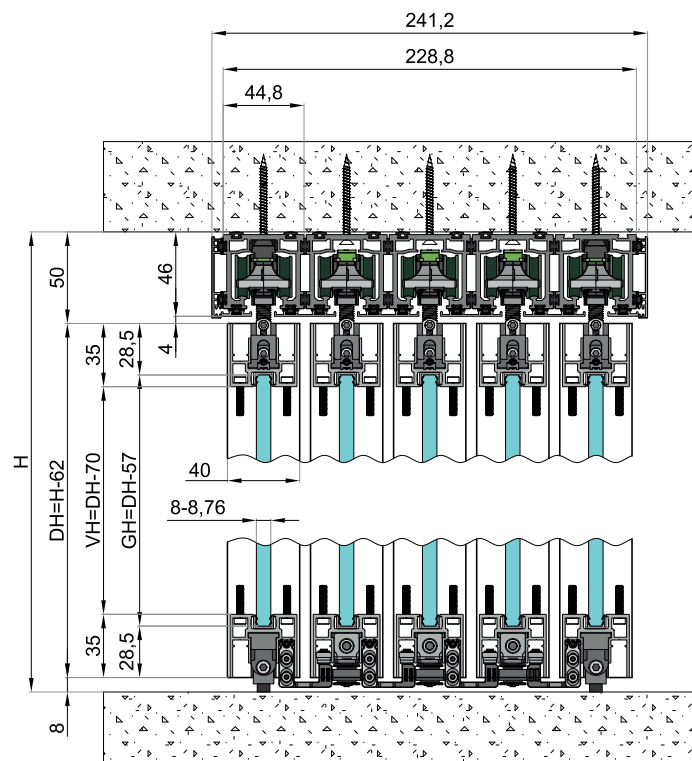


MAGIC sliding system

Set - 10 sliding doors - sliding sideways (5 tracks)

MGC-SET-5-DOUBLE

H - opening height
 W - opening width
 DH - door height
 DW - door width
 GH - glass height
 GW - glass width
 W=T - running track length
 La - horizontal profile length
 Lb=VH - vertical base profile length
 Lc=DH - vertical cover length



N - number of panels
 N=10

The drawing above is only illustrative drawings. It is used to determine the width of the panels.



2024